

Transport

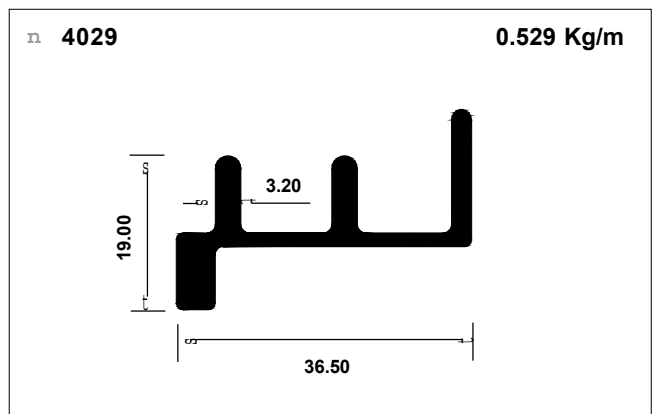
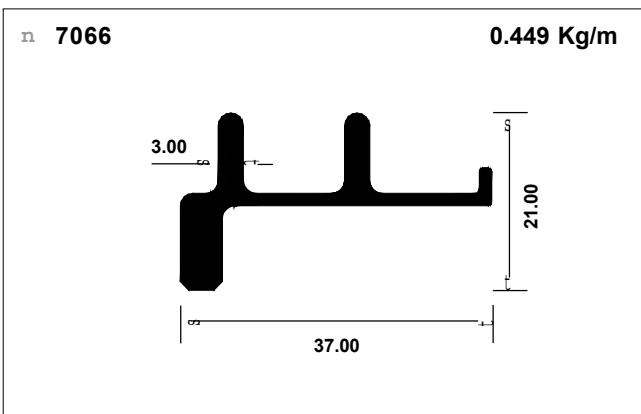
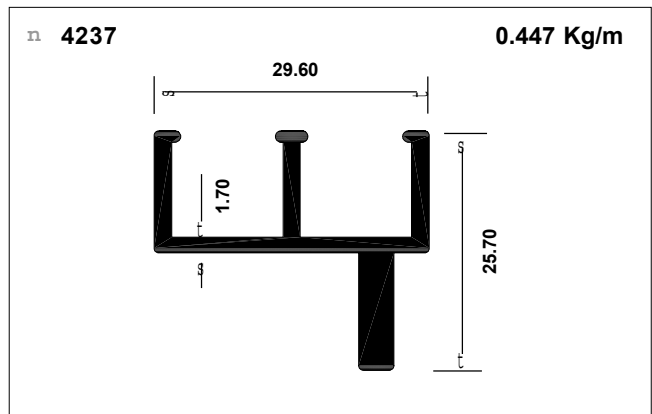
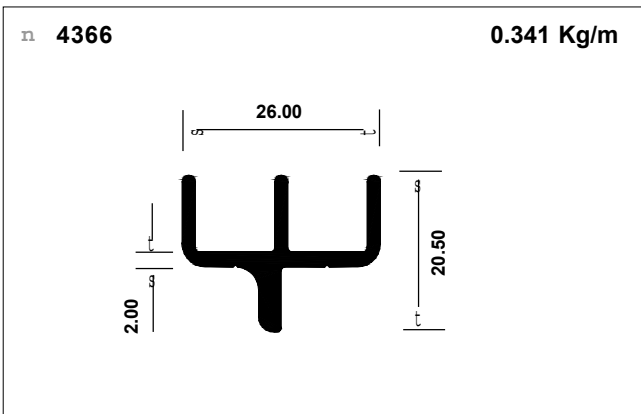
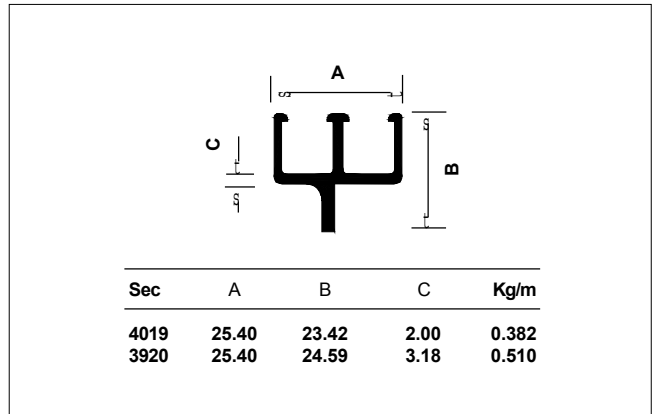
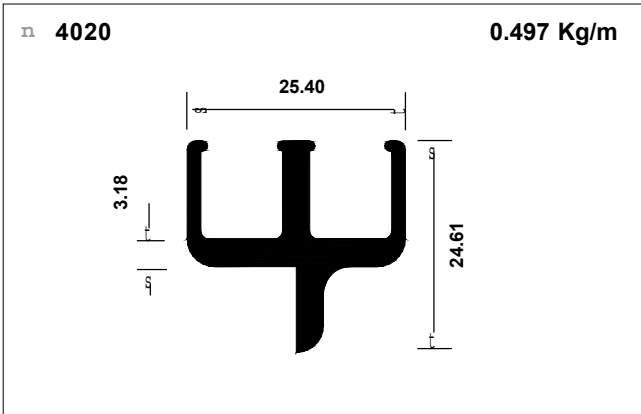
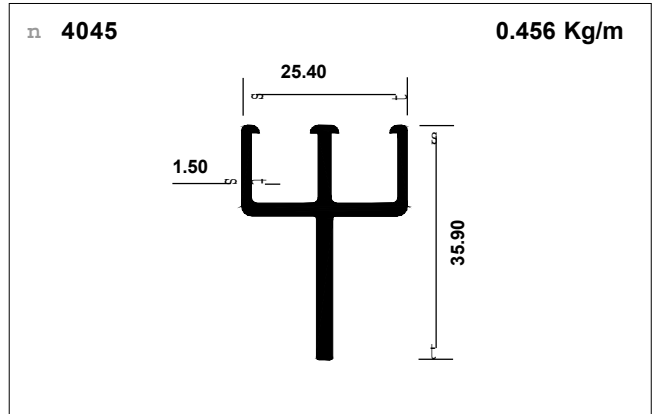
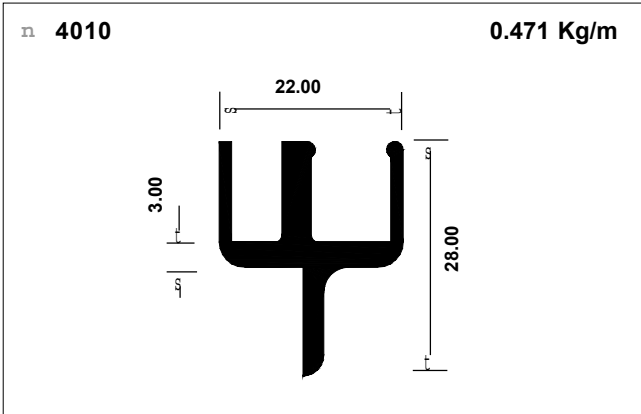


Contents

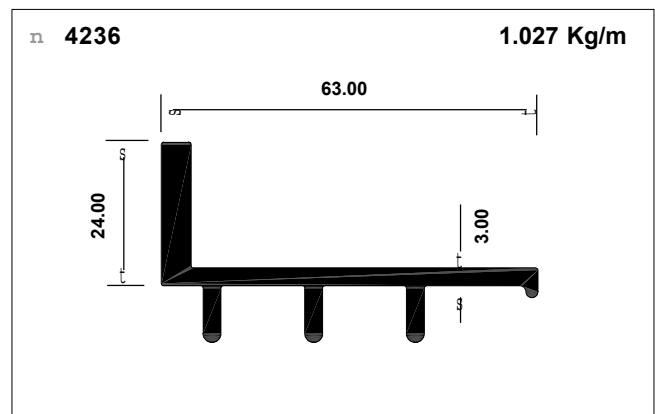
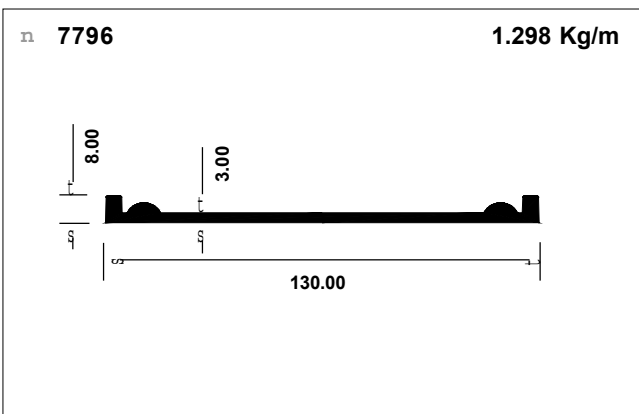
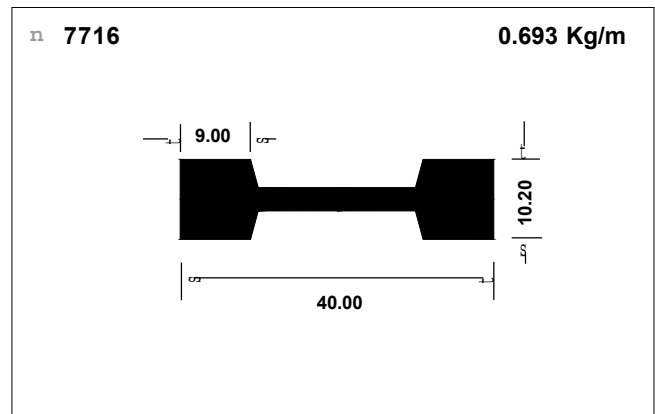
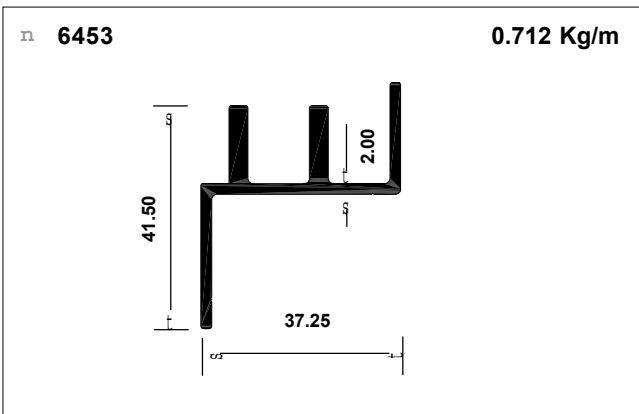
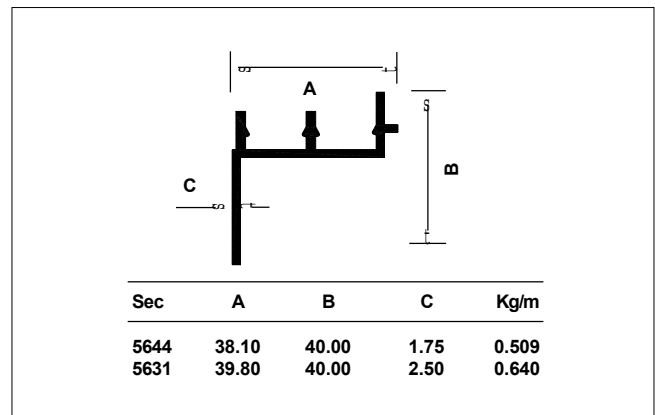
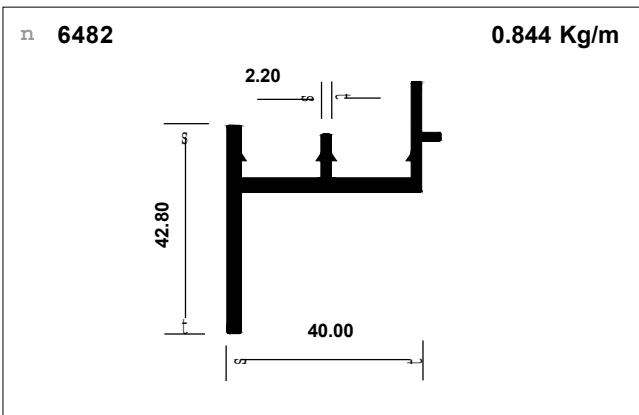
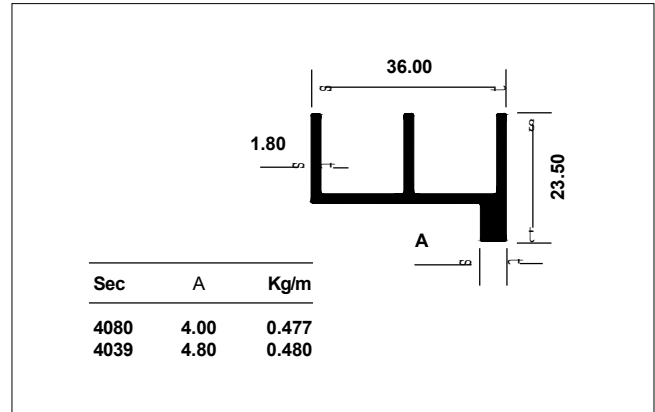
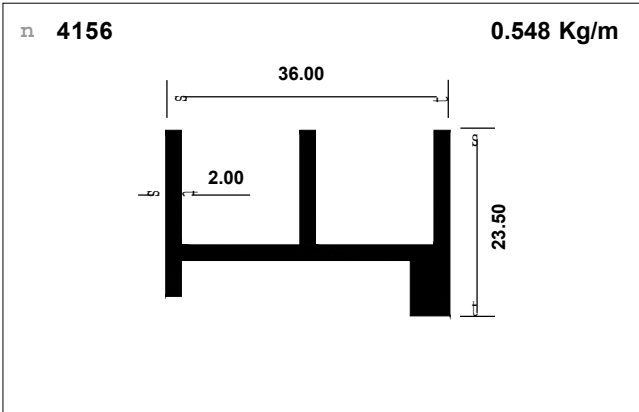
Click on the desired sub-segment to go directly to the page

		catalogue pg. nos	pdf pg. nos
Transport			
Bus windows	-----	163	3
Bus structurals	-----	173	13
Floorings	-----	178	18
Truck body structurals	-----	182	22
Rail coach	-----	188	28

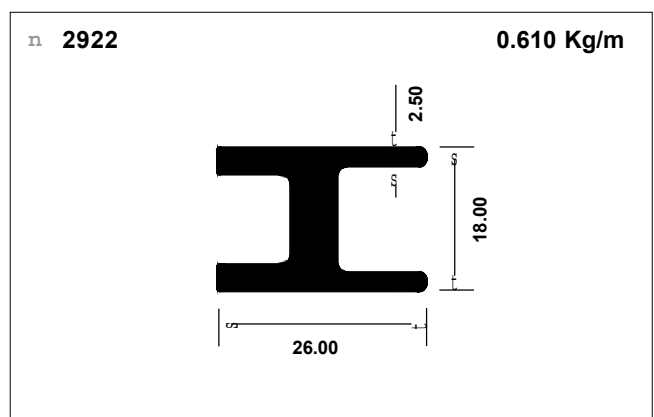
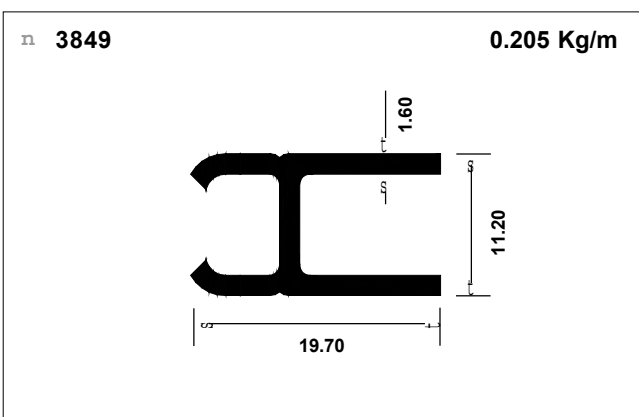
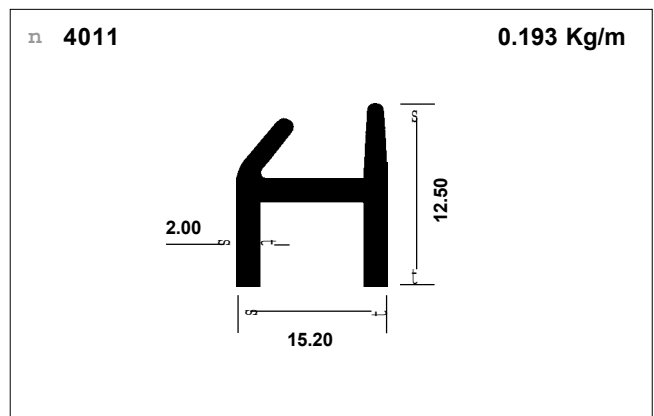
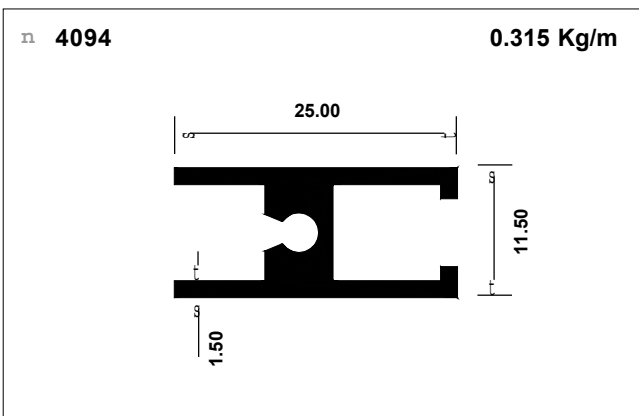
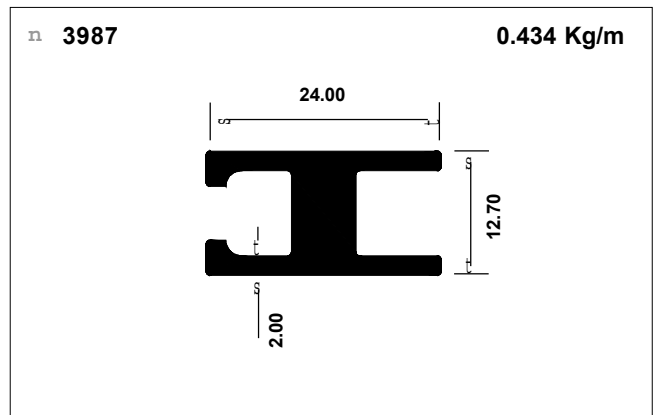
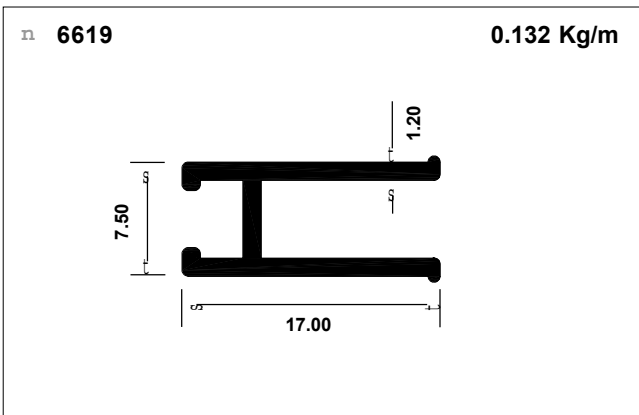
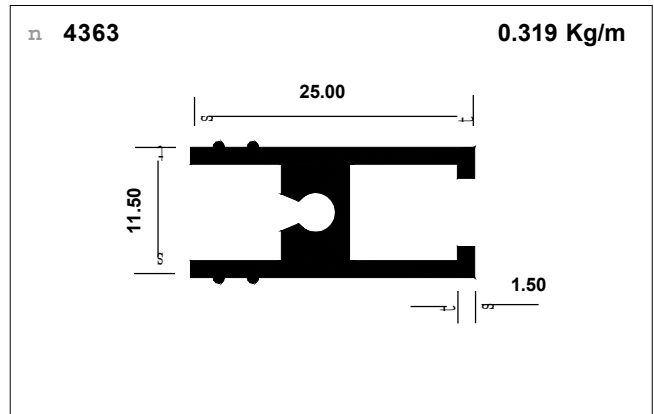
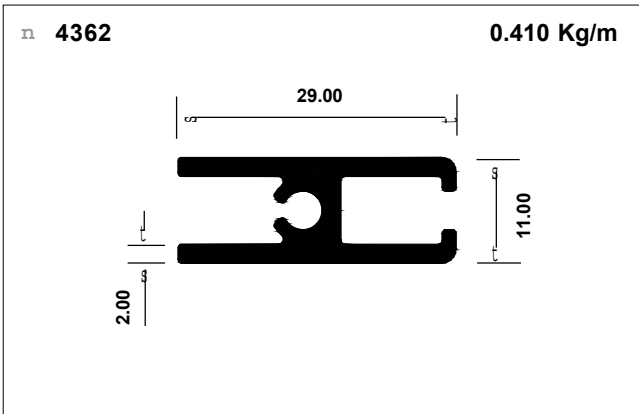
Bus windows



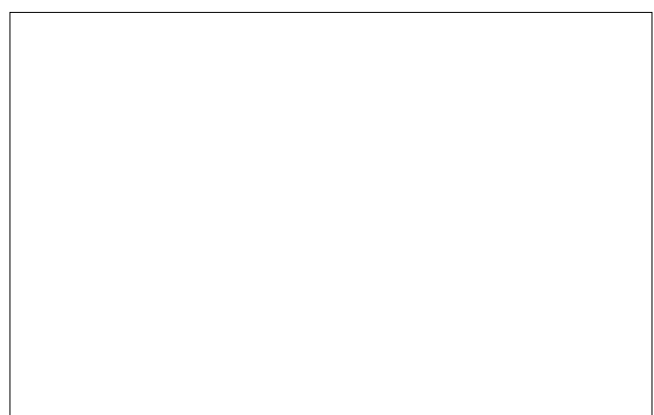
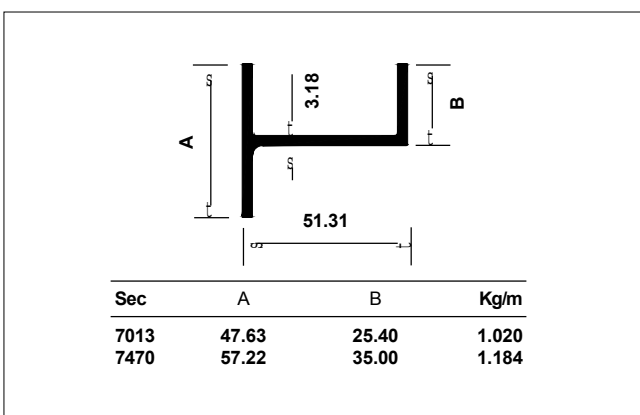
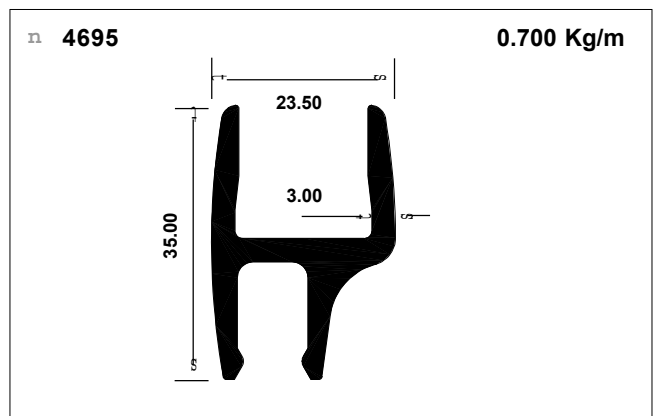
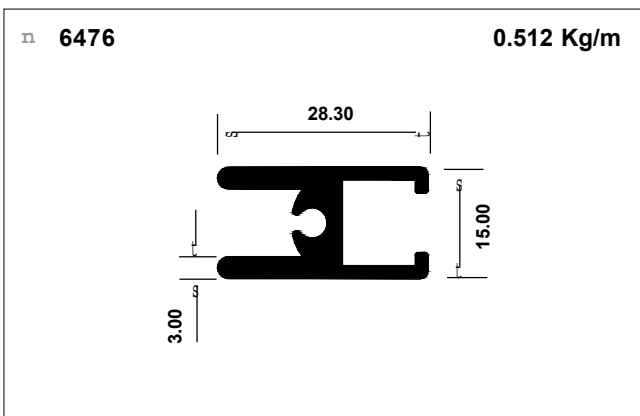
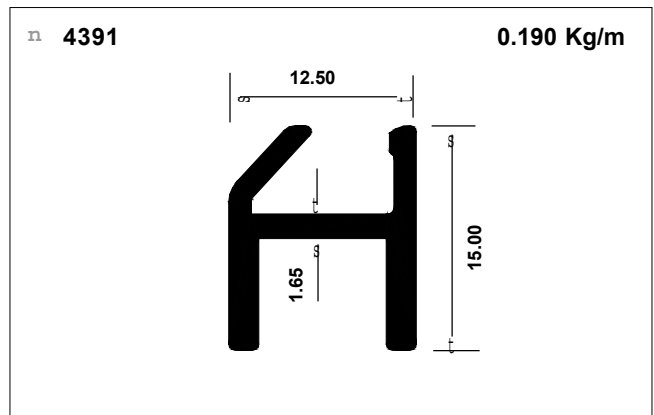
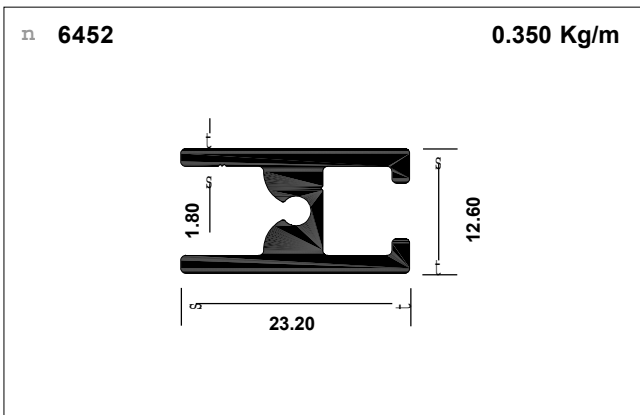
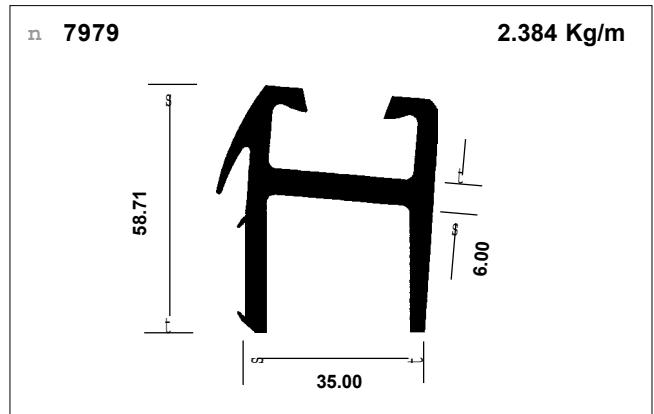
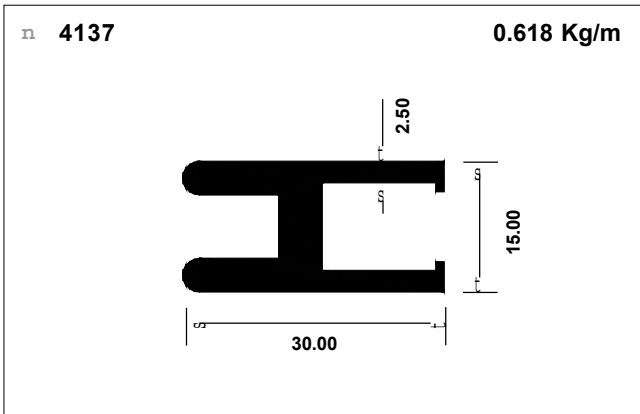
Bus windows



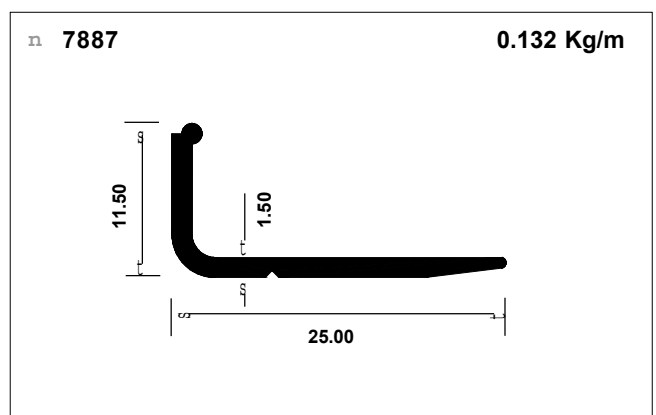
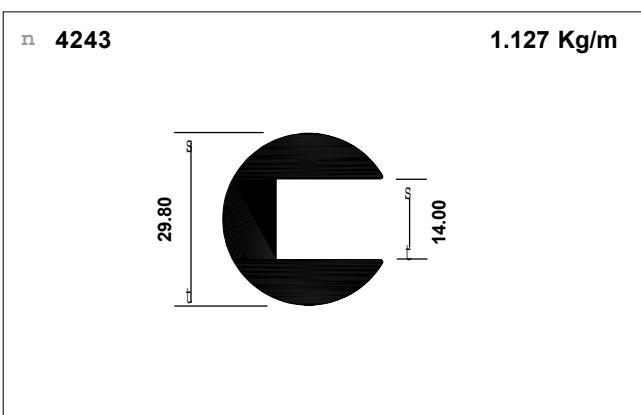
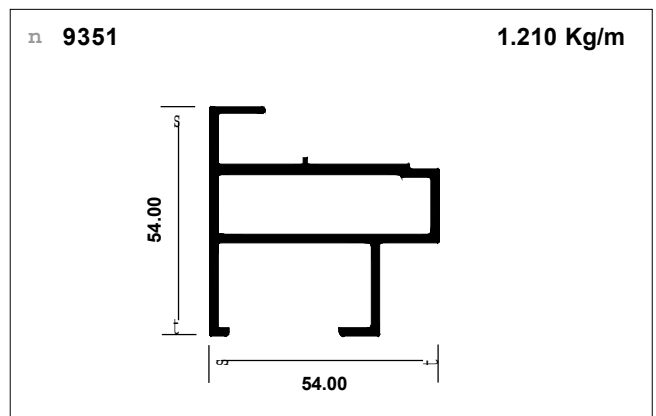
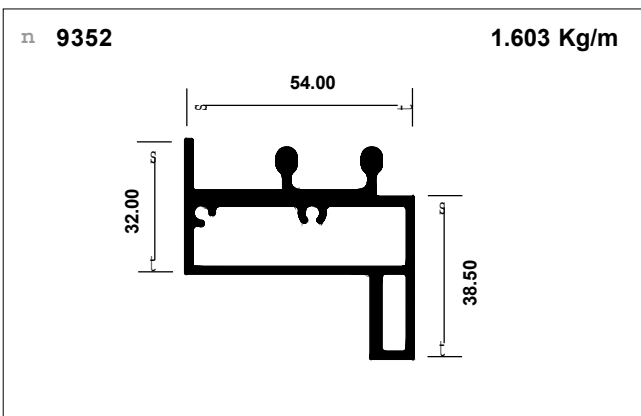
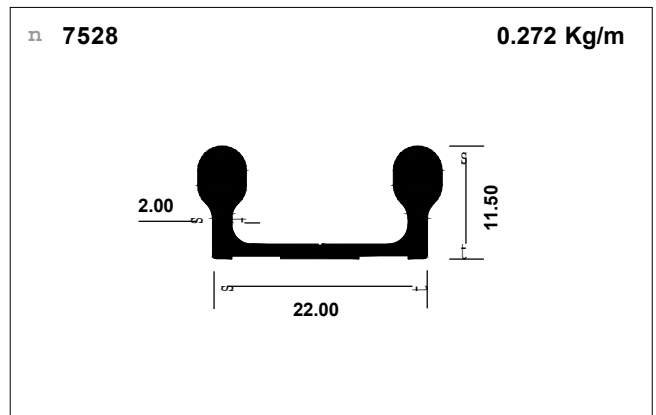
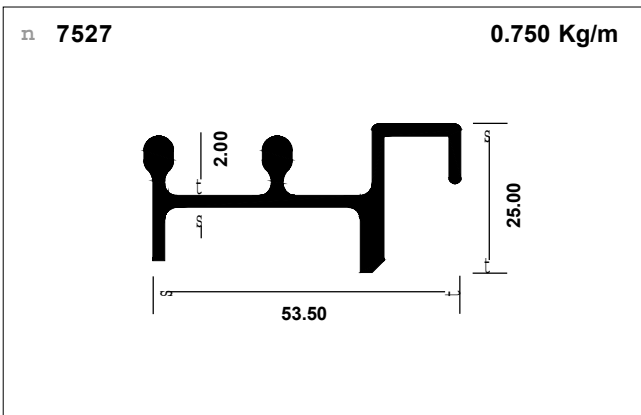
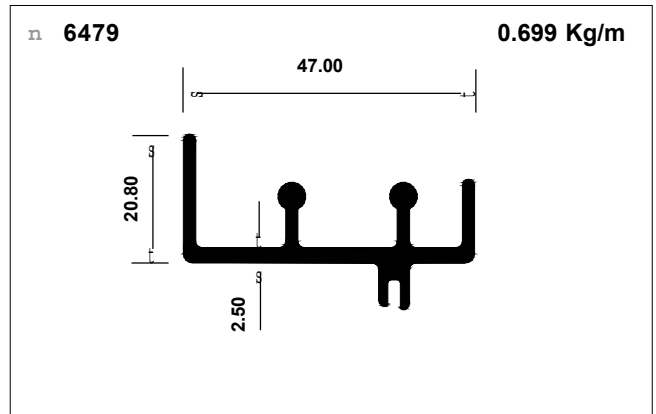
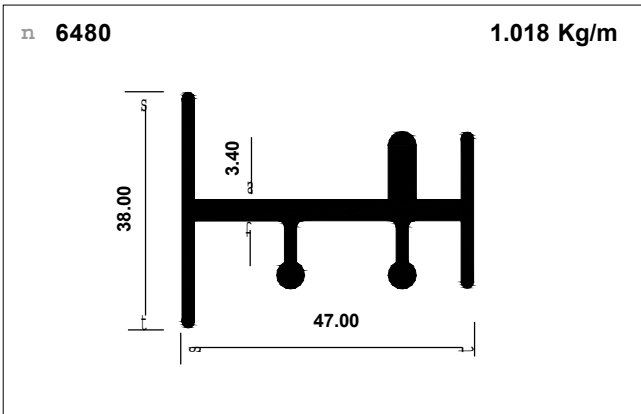
Bus windows



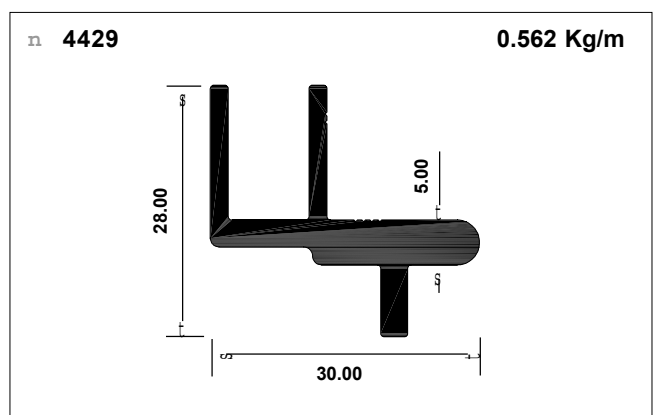
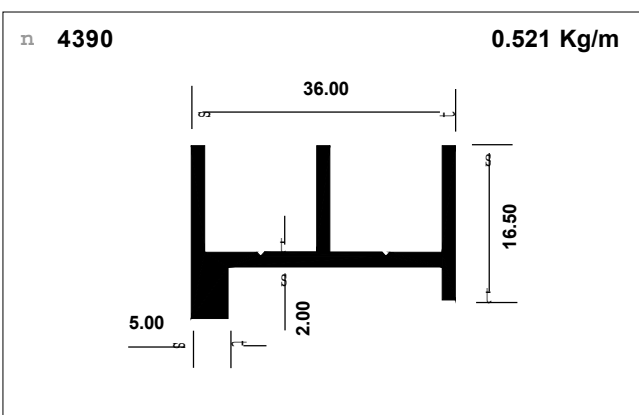
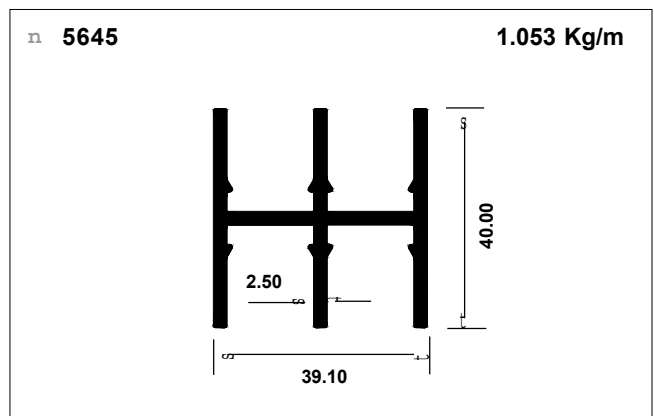
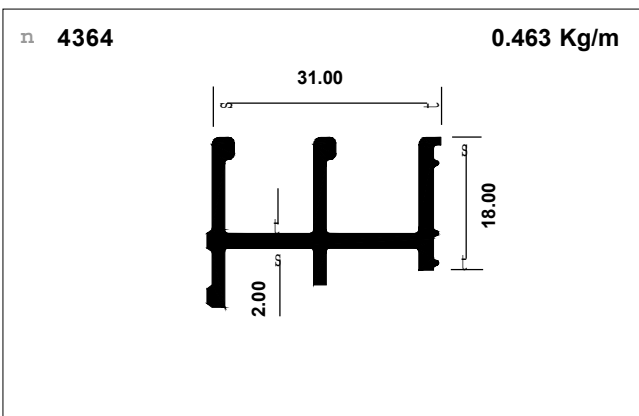
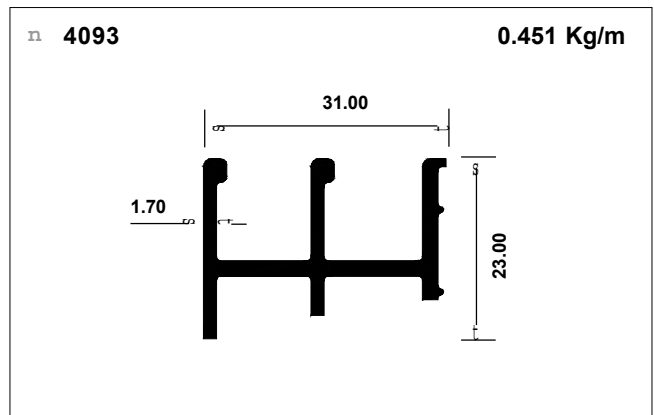
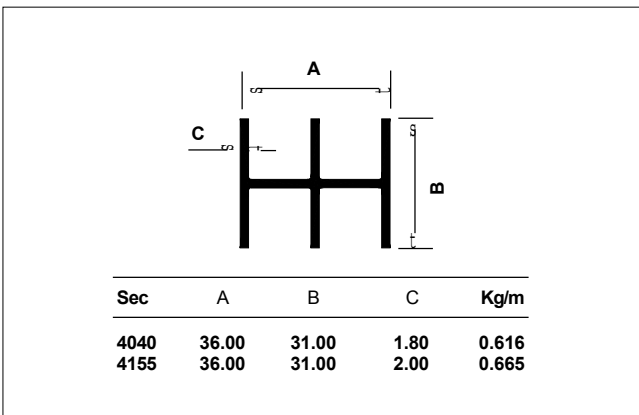
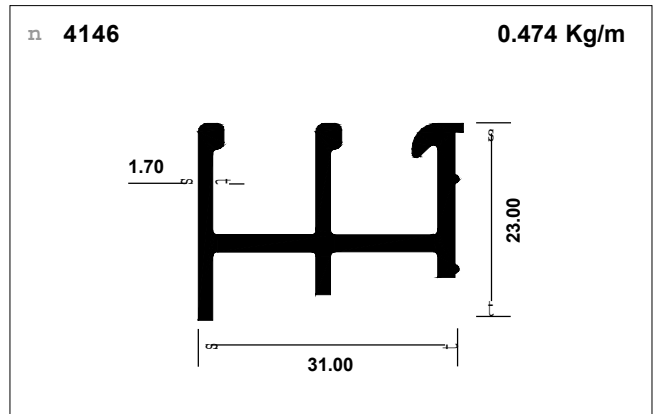
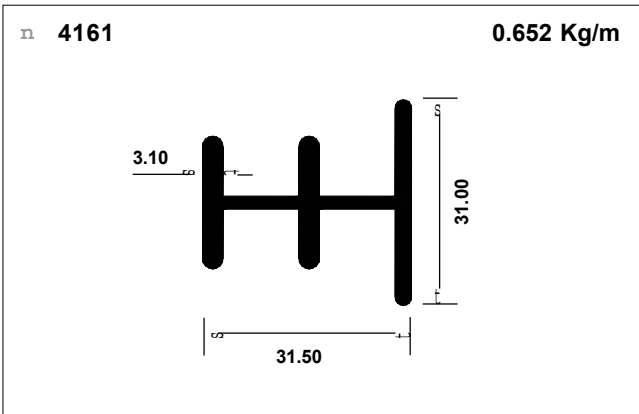
Bus windows



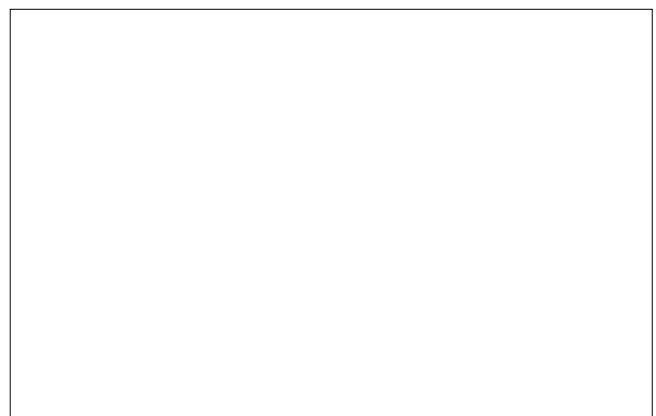
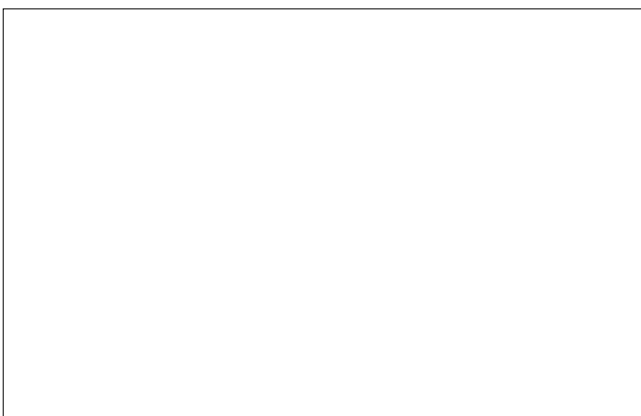
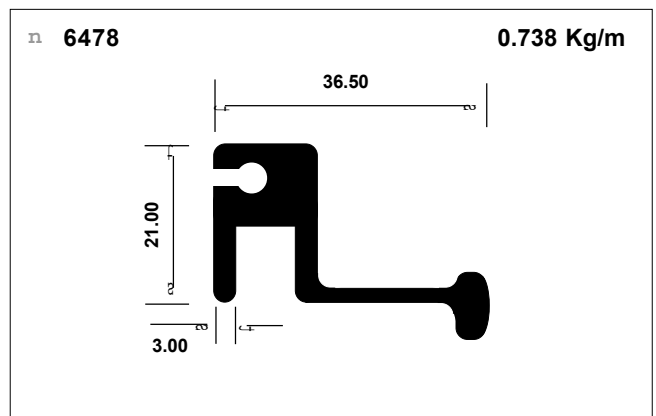
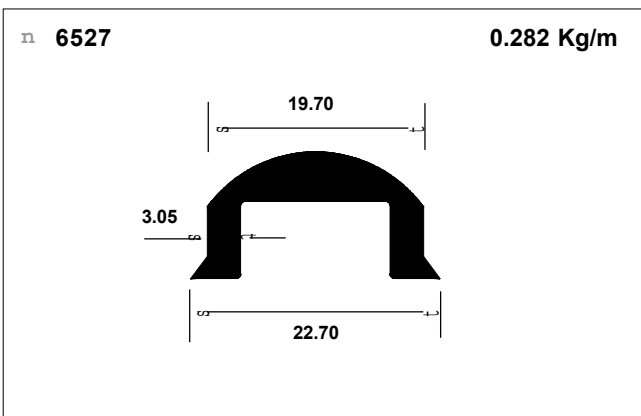
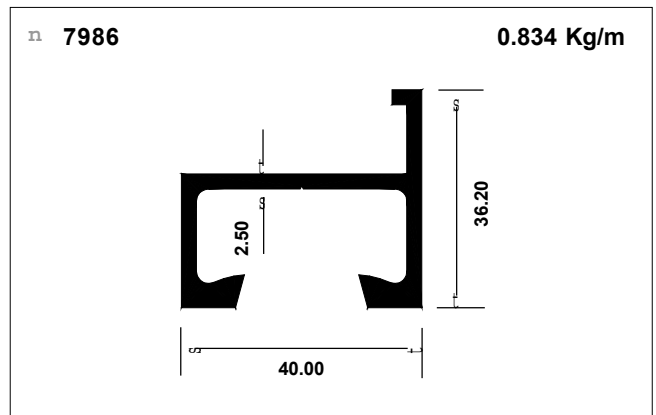
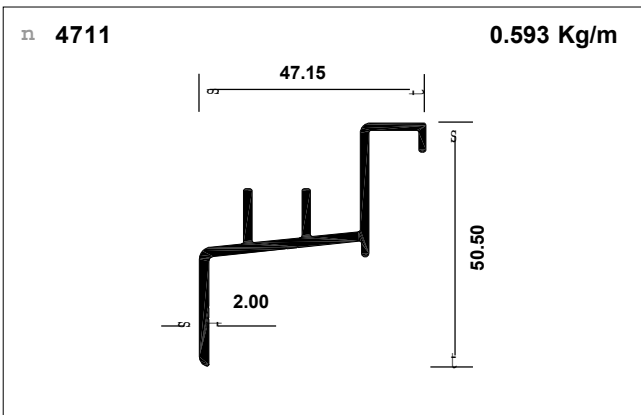
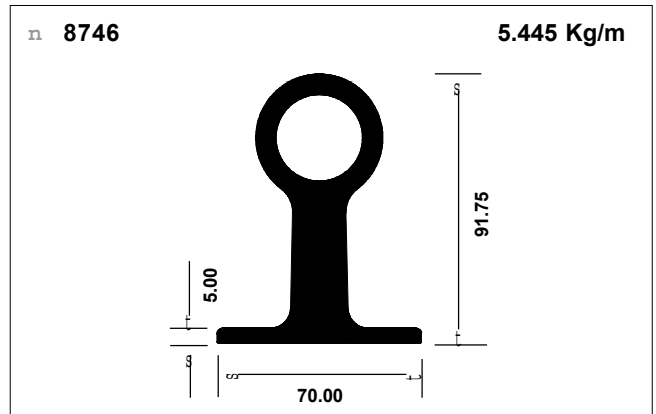
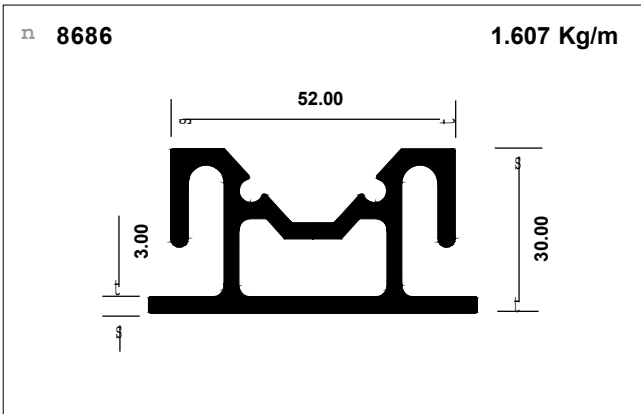
Bus windows



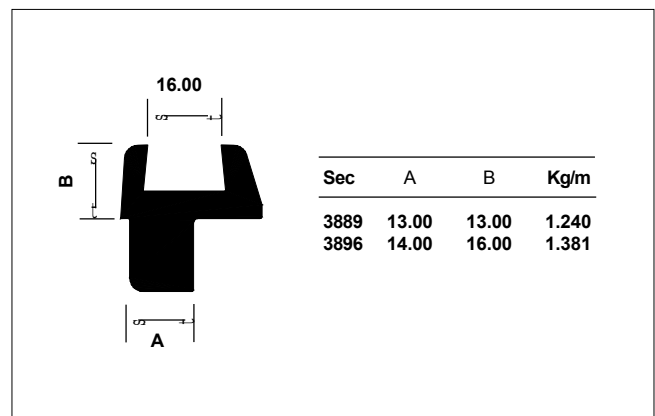
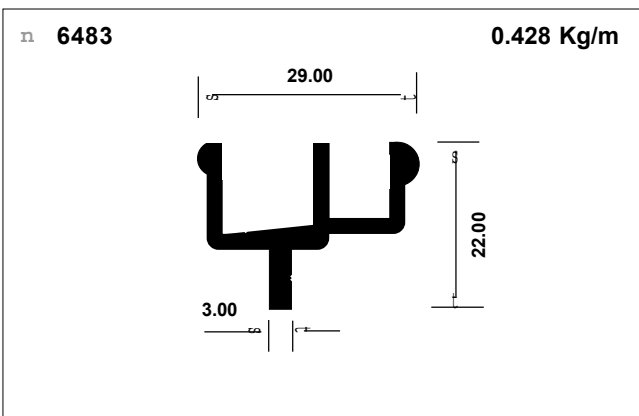
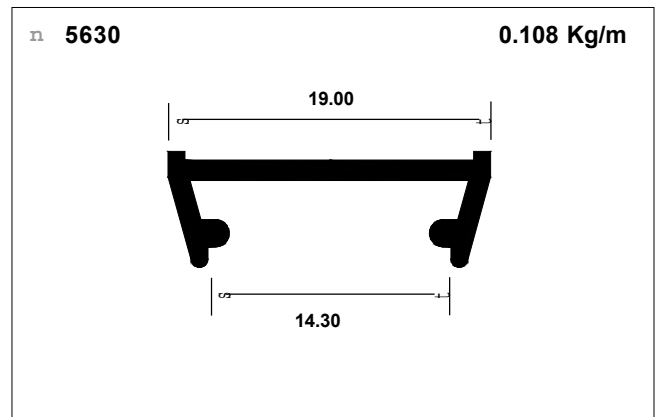
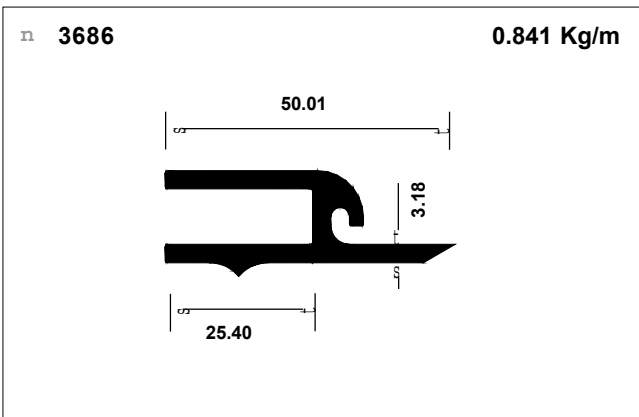
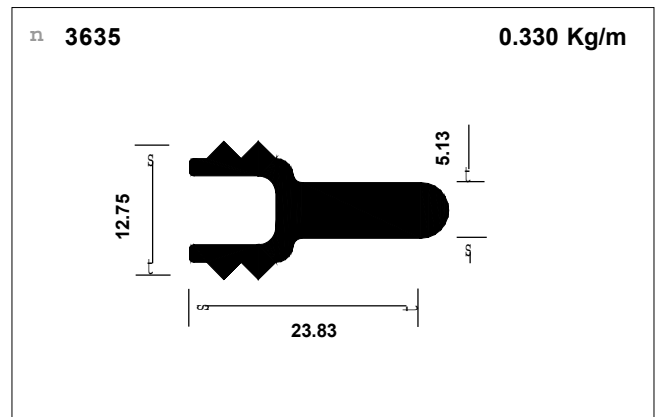
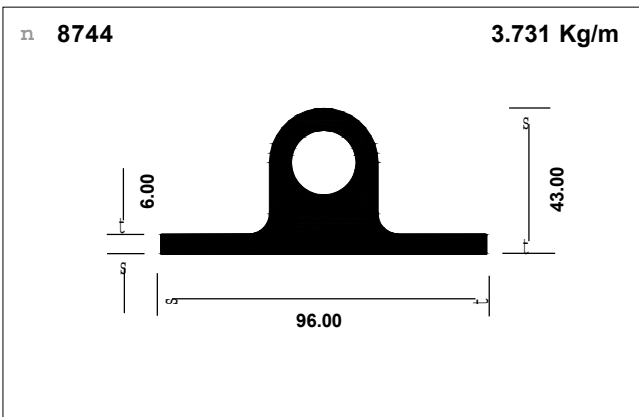
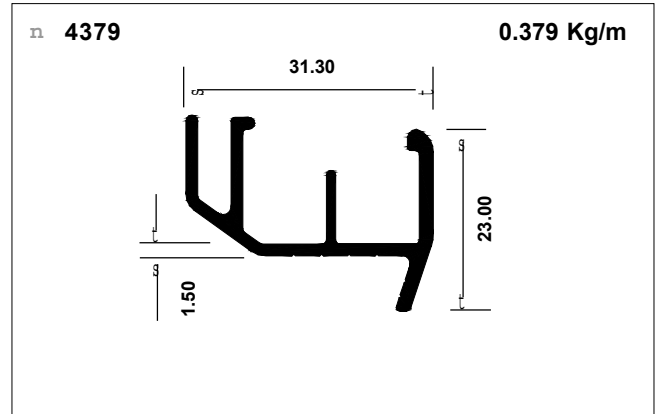
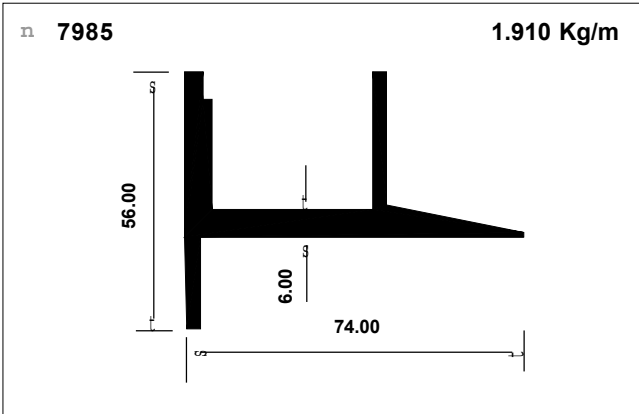
Bus windows



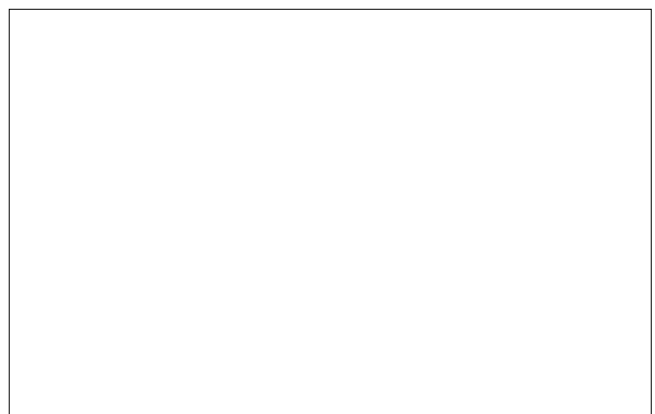
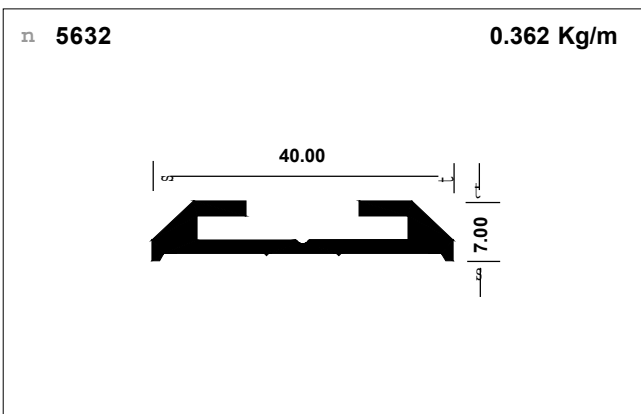
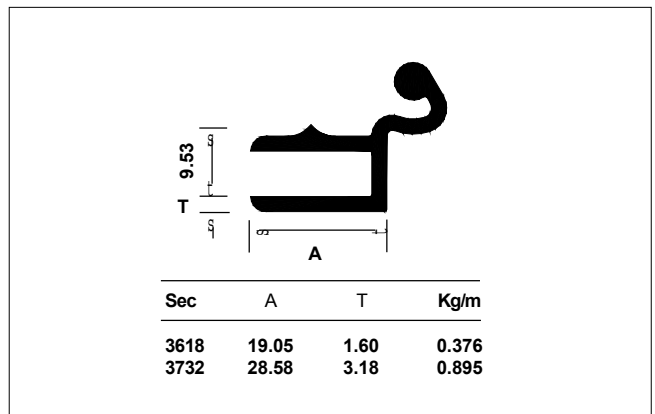
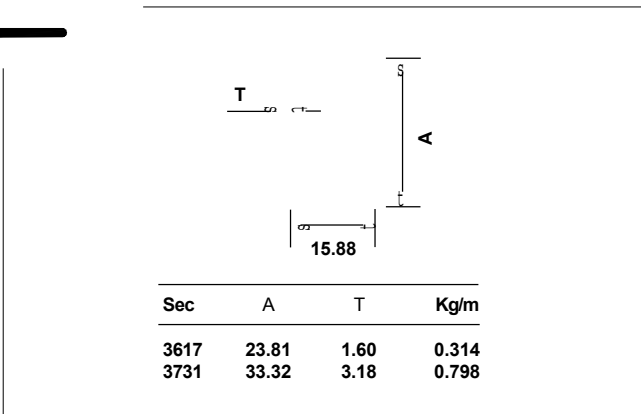
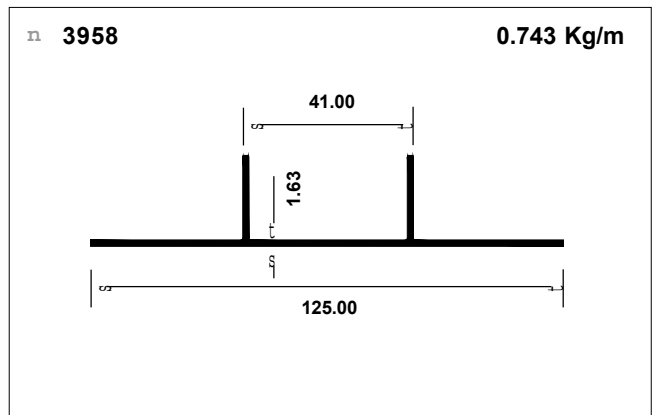
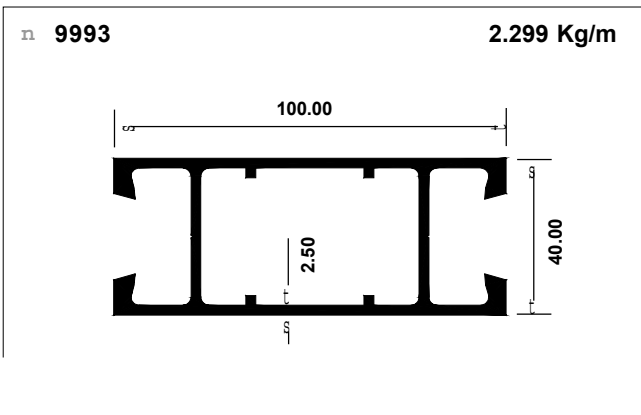
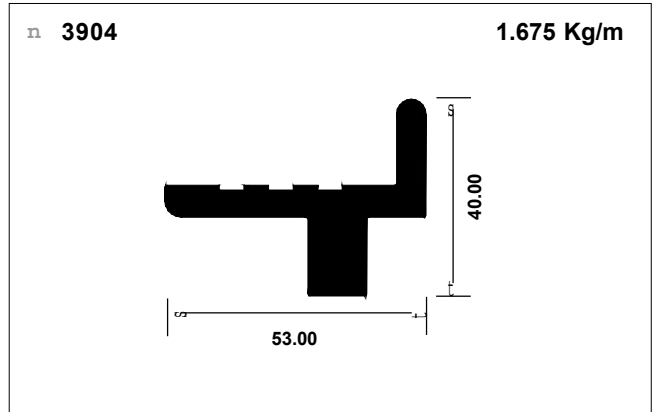
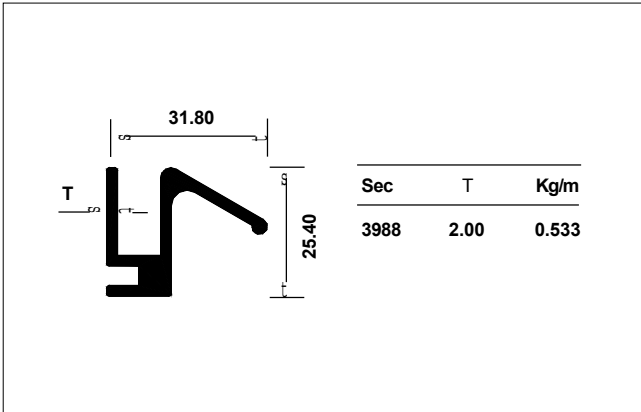
Bus windows



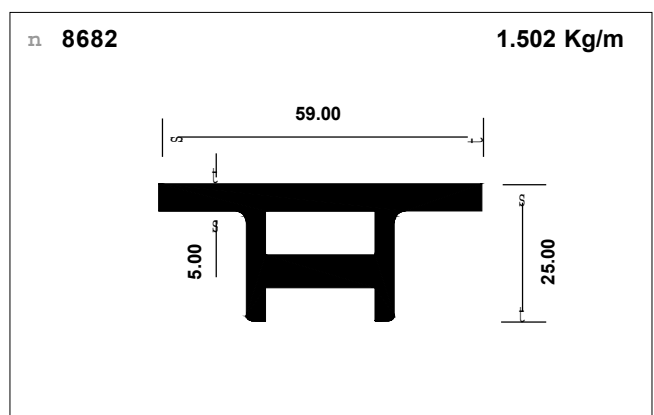
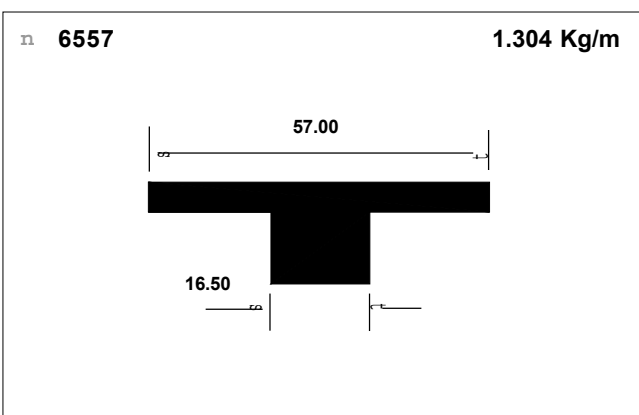
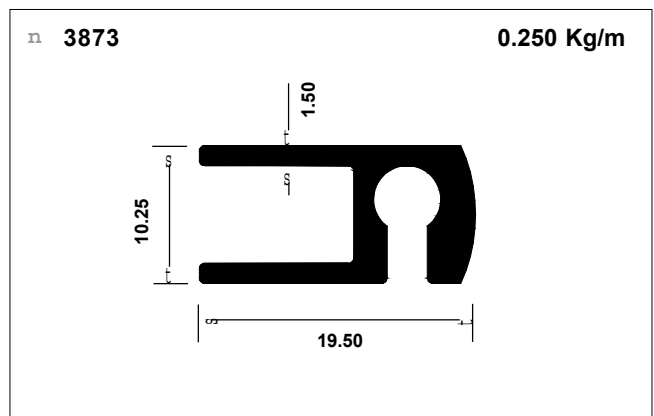
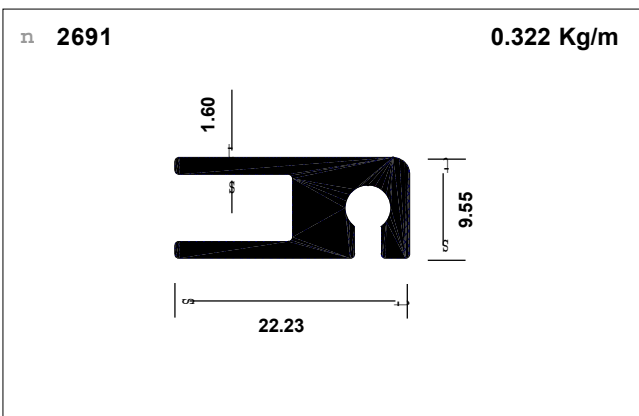
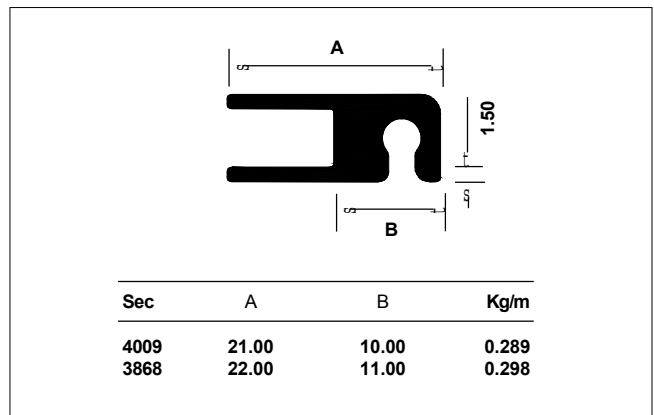
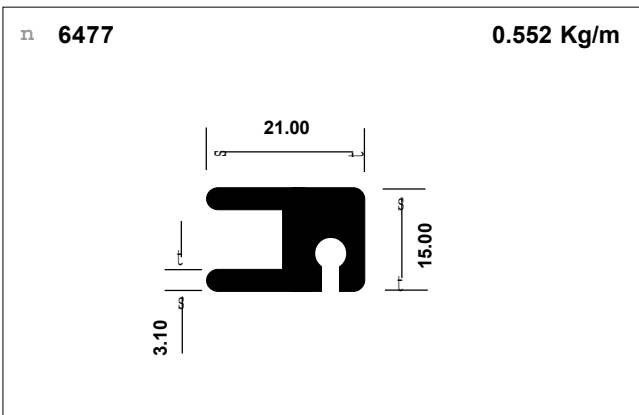
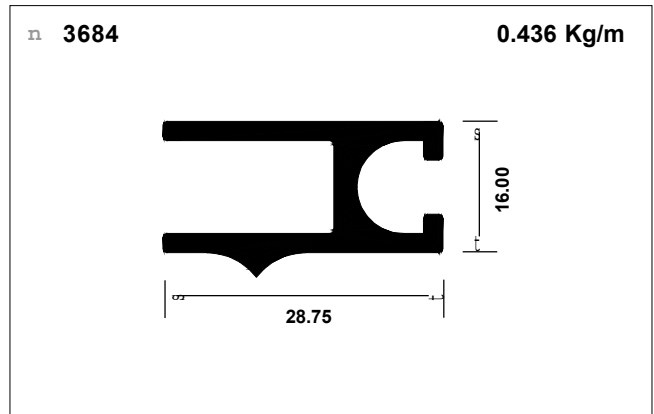
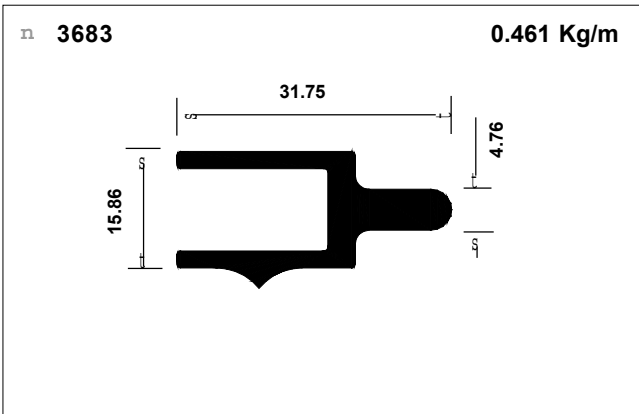
Bus windows



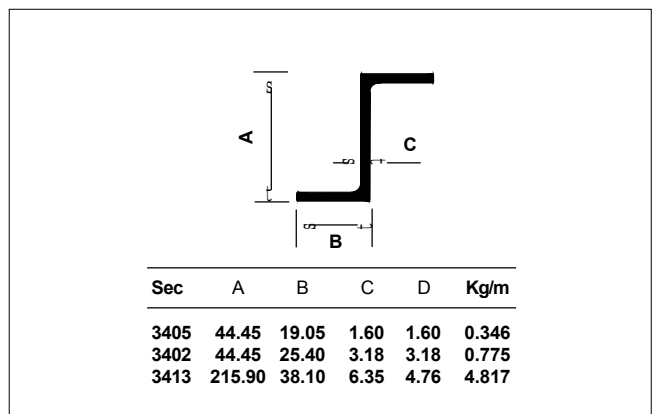
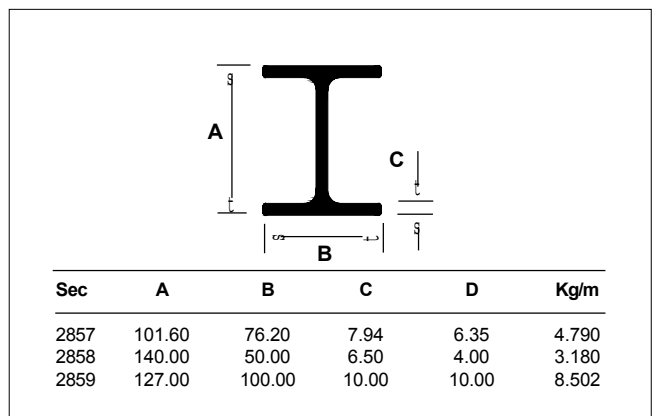
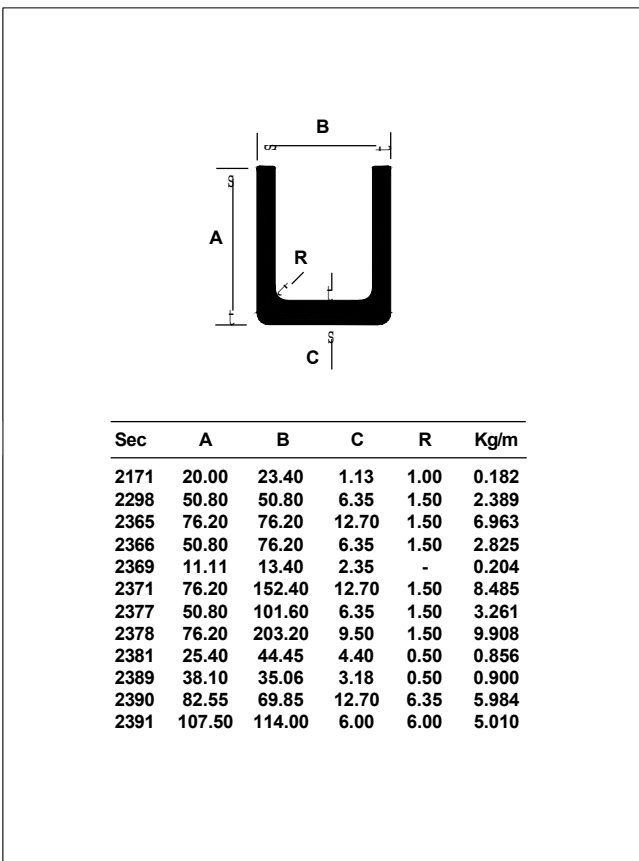
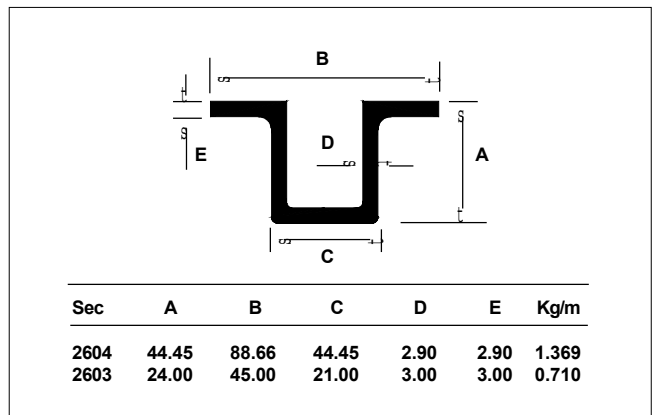
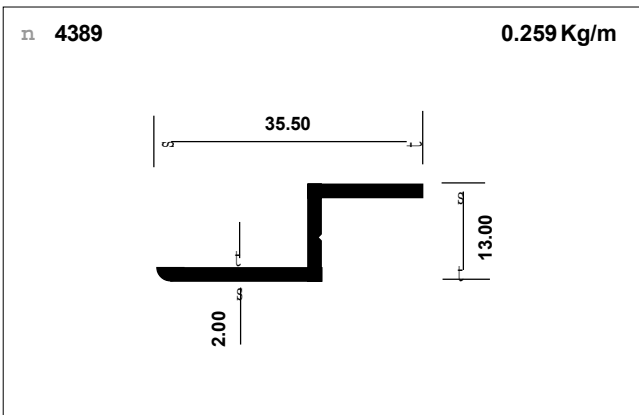
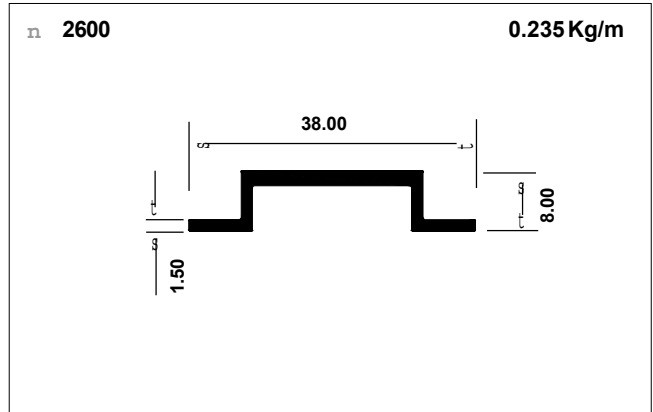
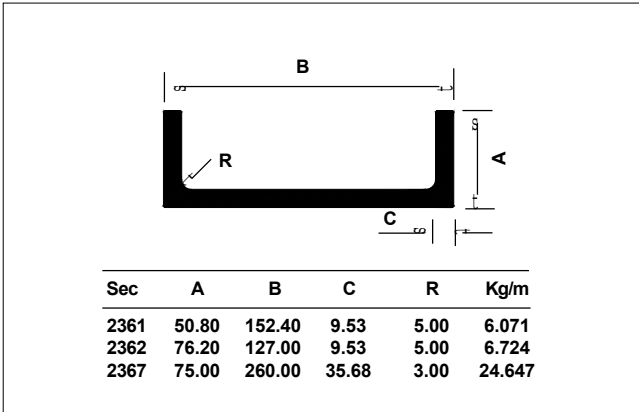
Bus windows



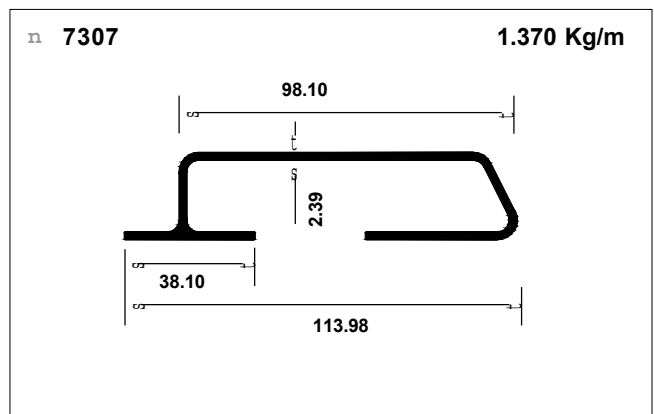
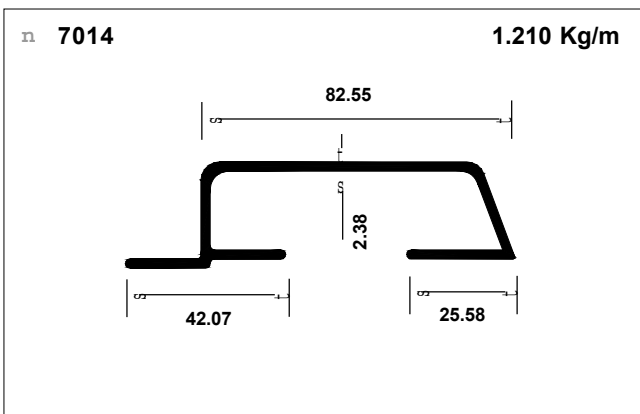
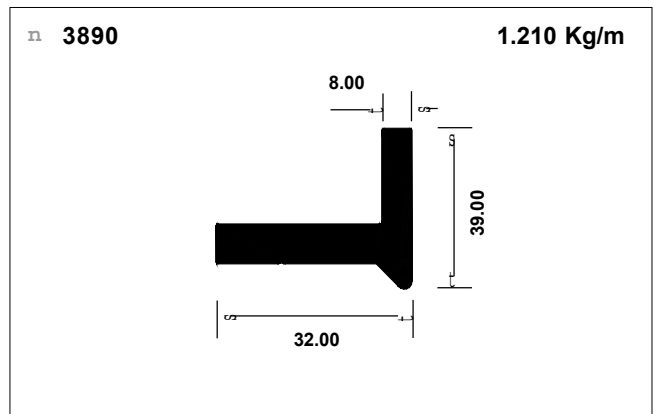
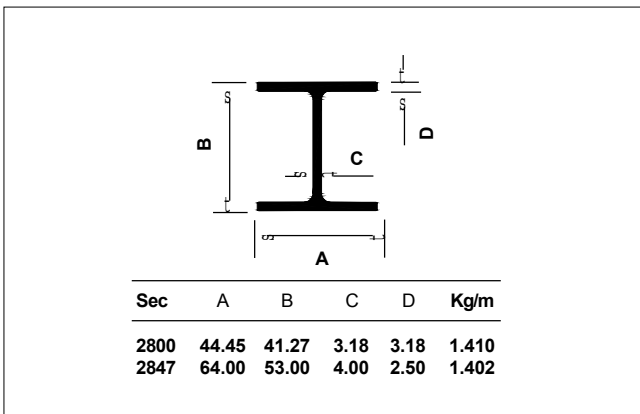
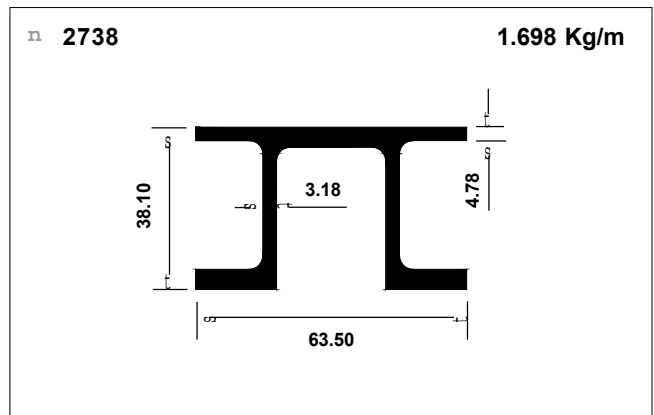
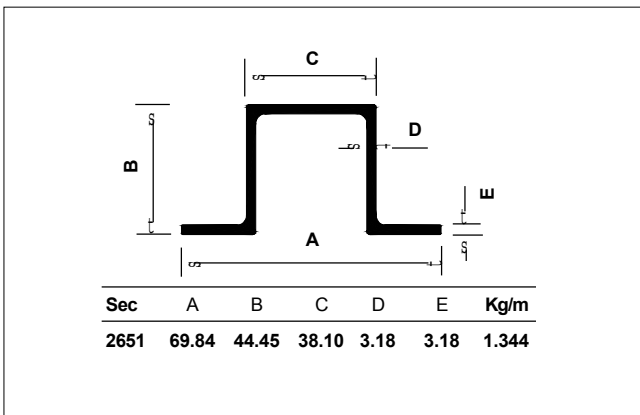
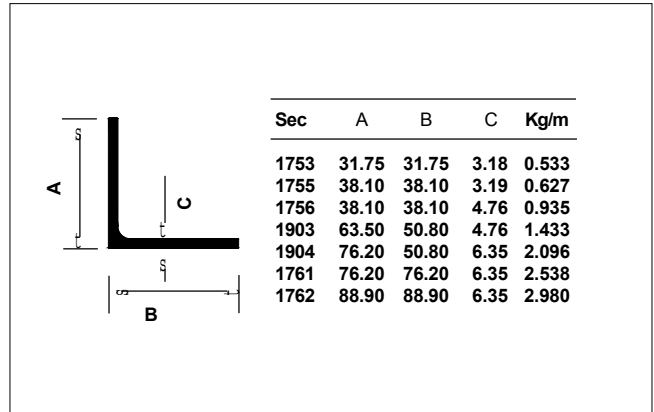
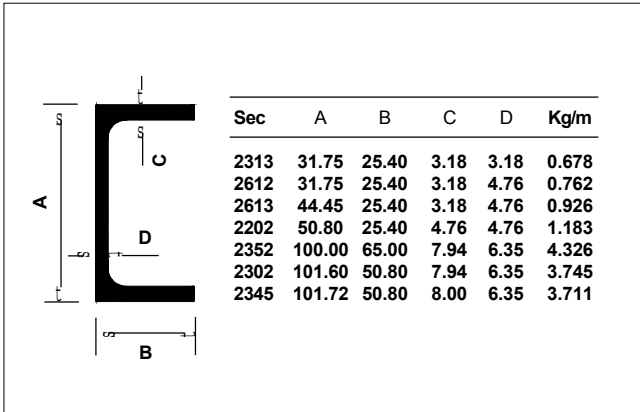
Bus windows



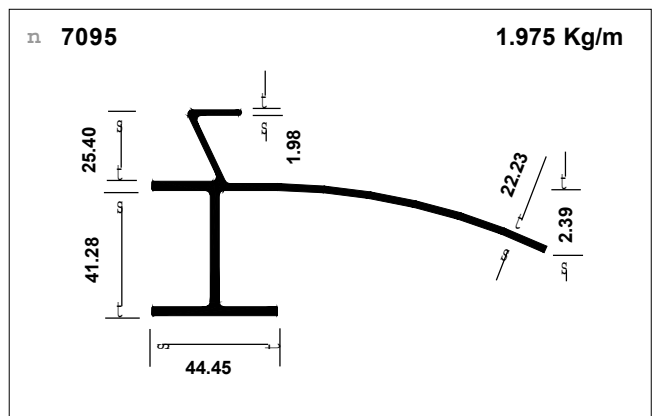
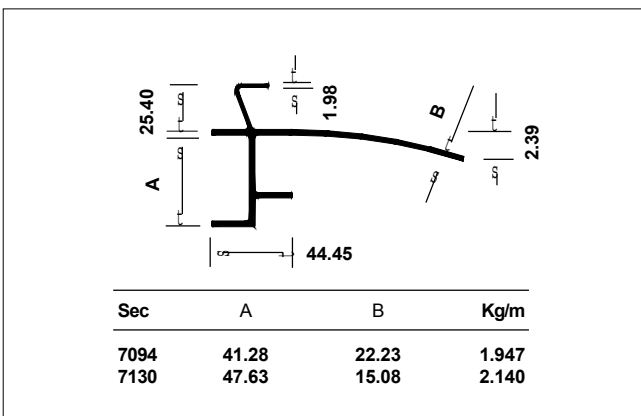
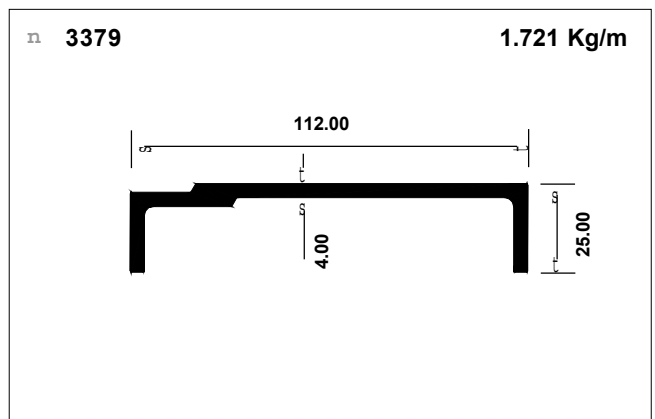
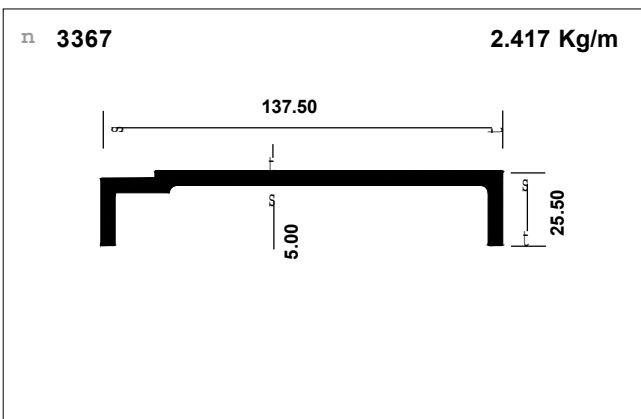
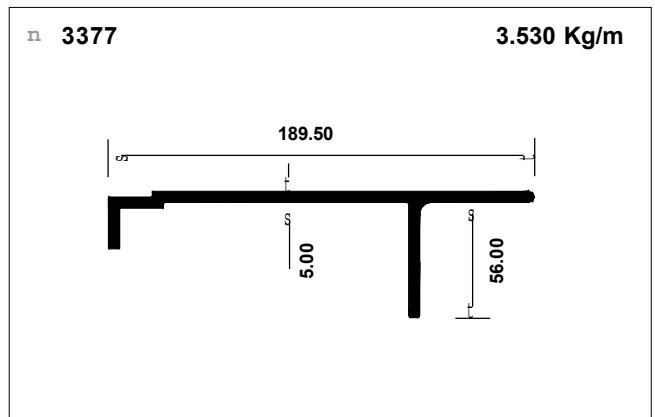
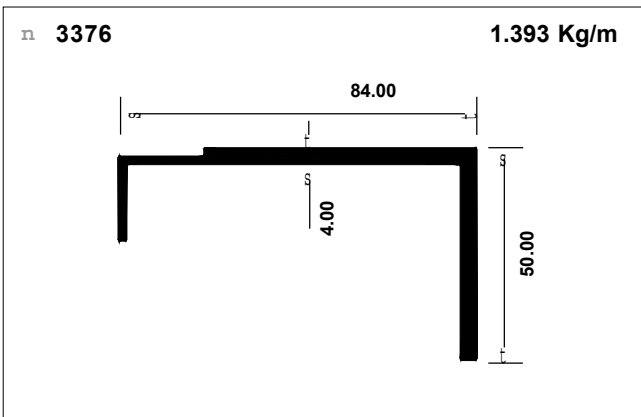
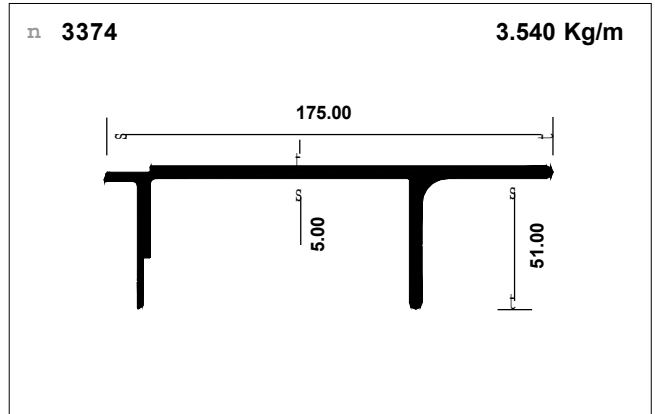
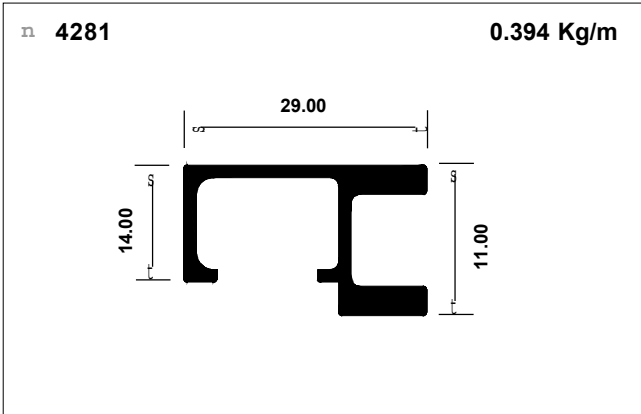
Bus structurals



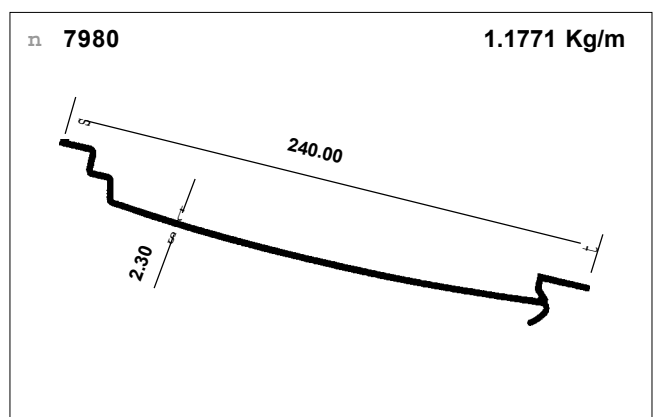
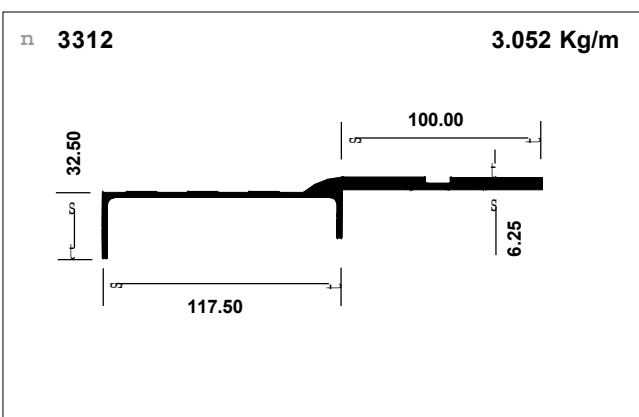
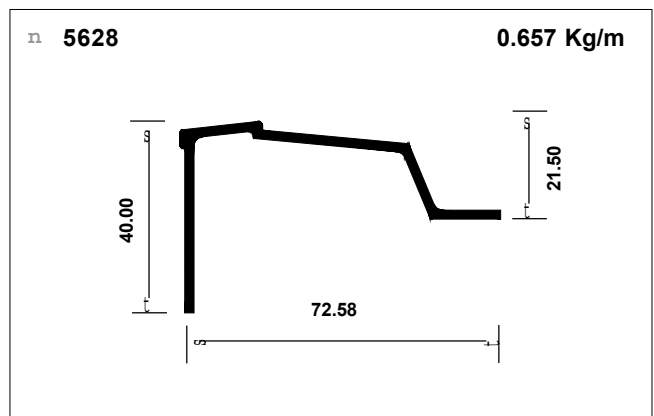
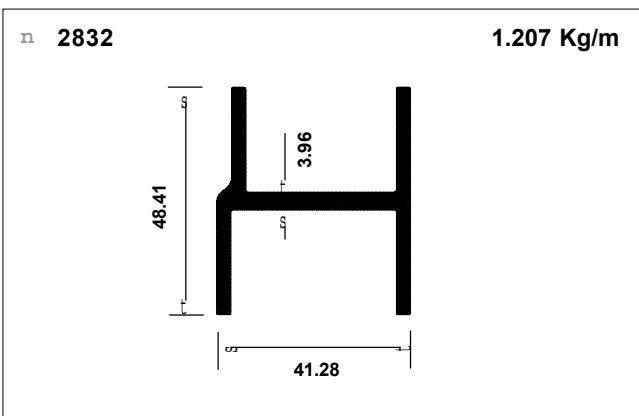
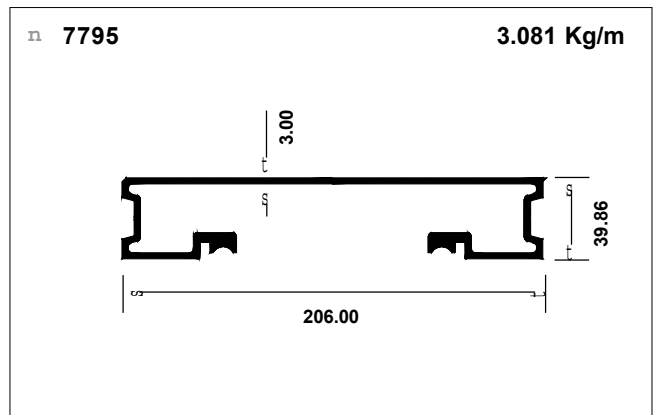
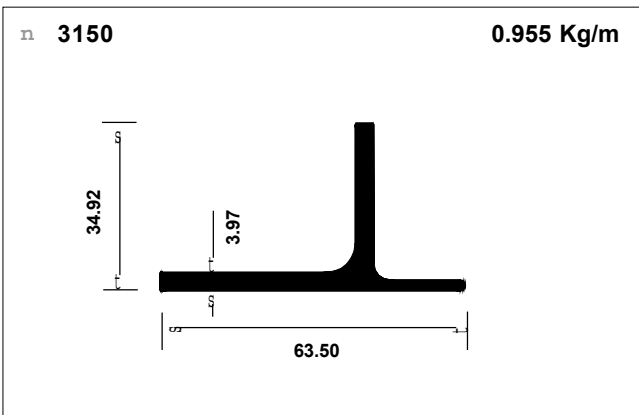
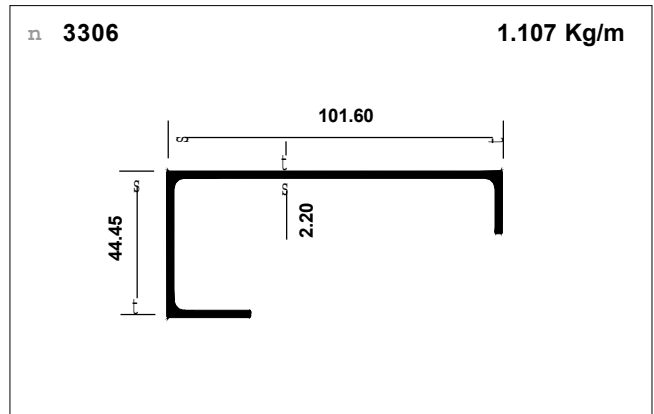
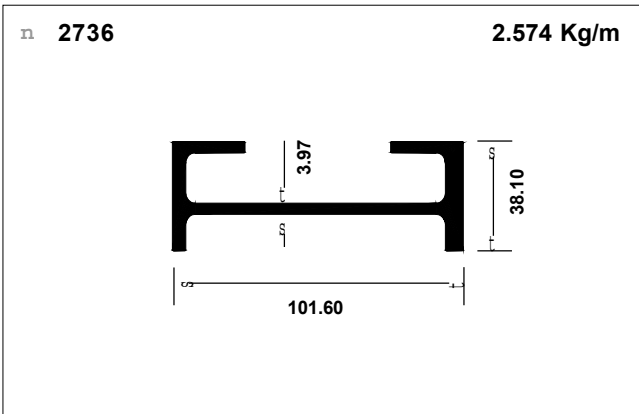
Bus structurals



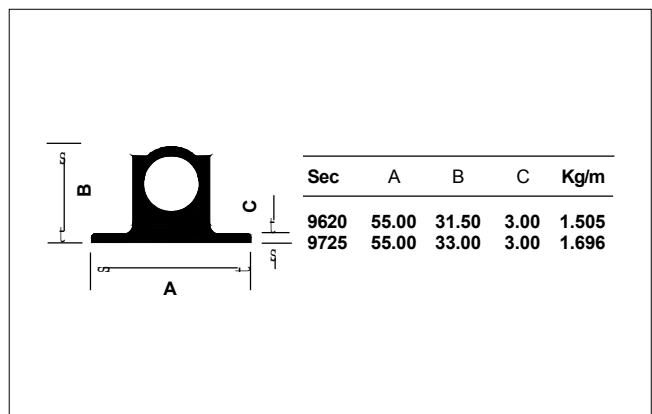
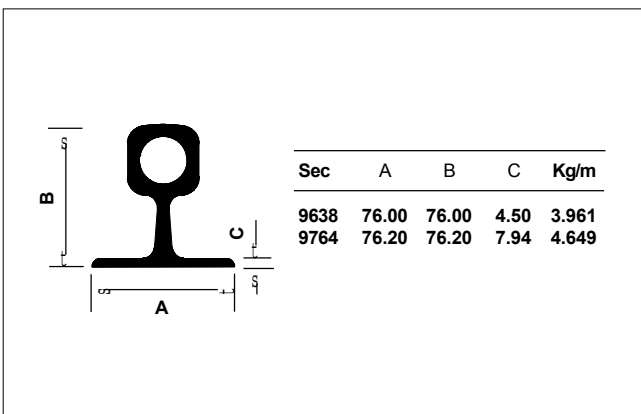
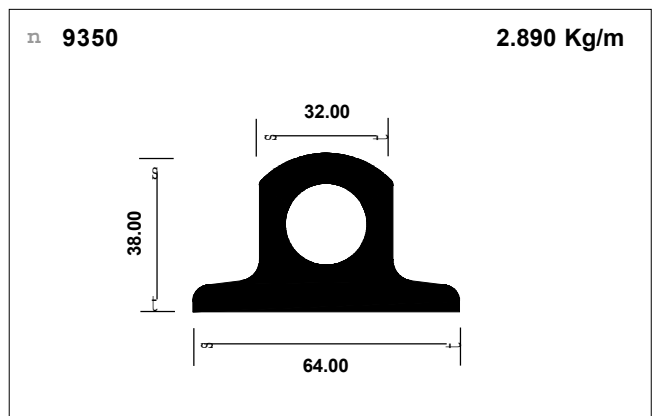
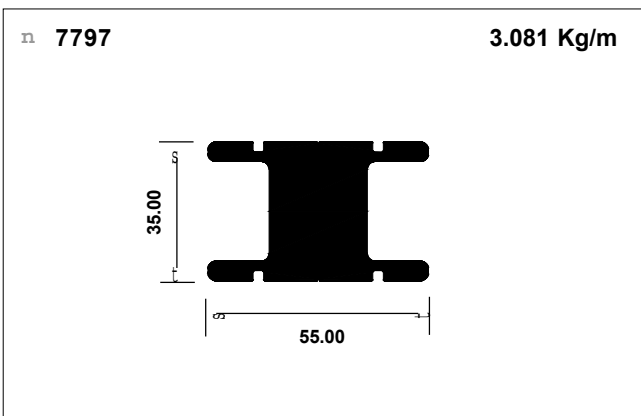
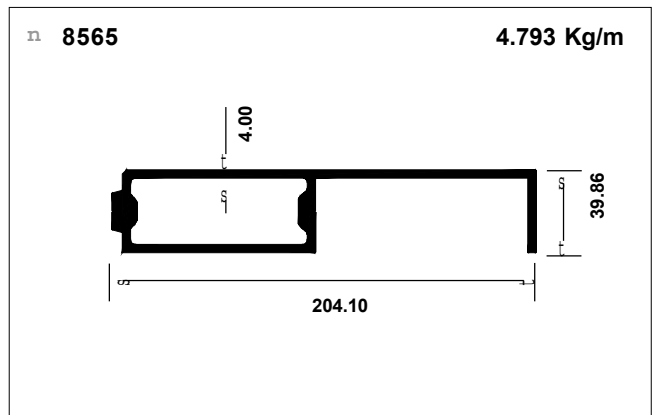
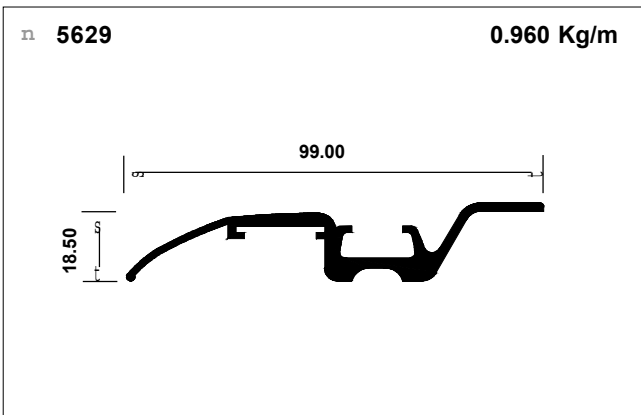
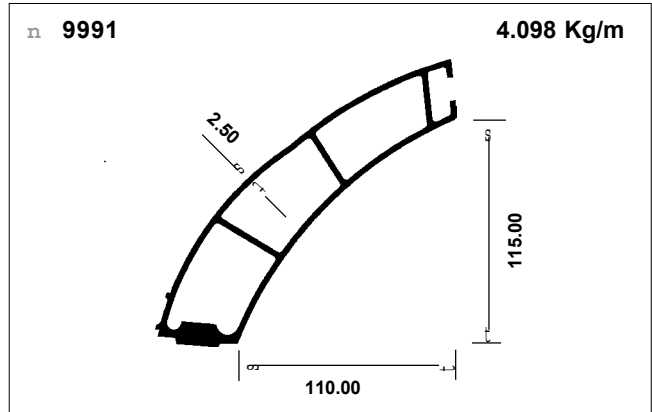
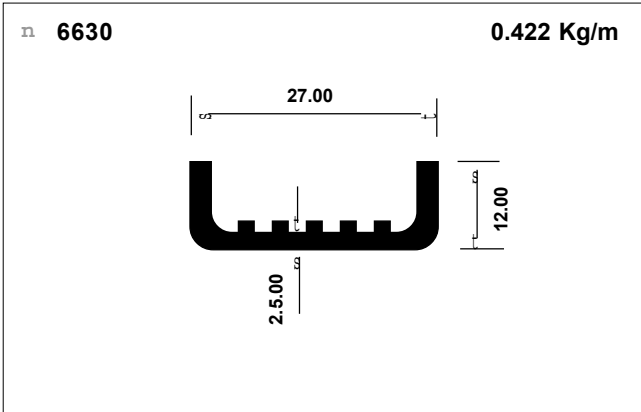
Bus structurals



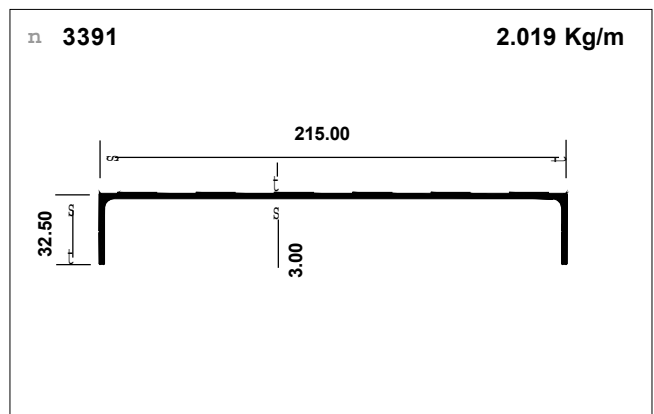
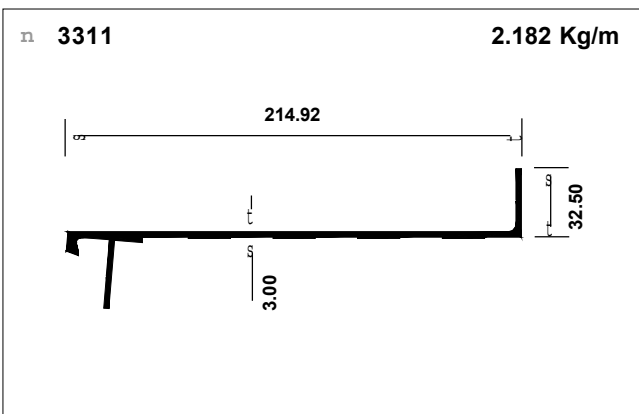
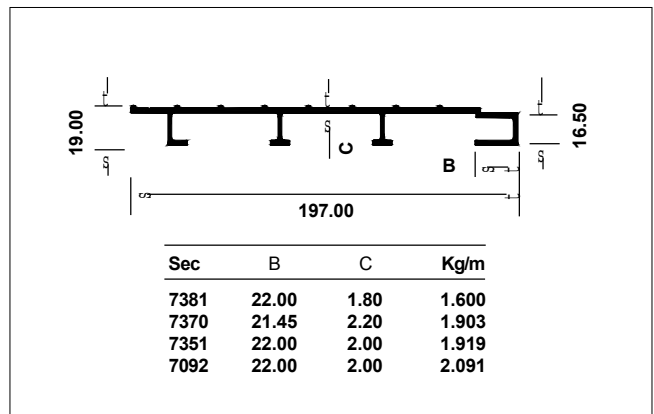
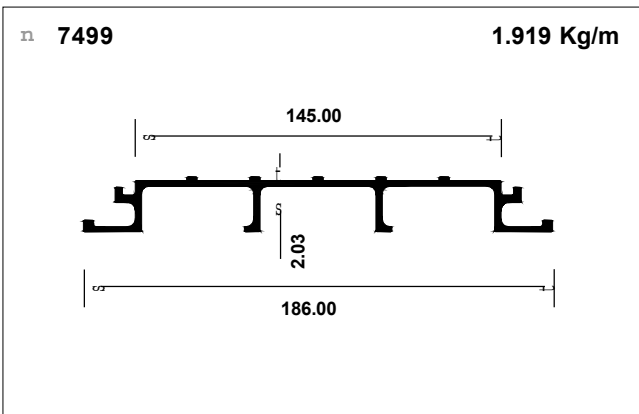
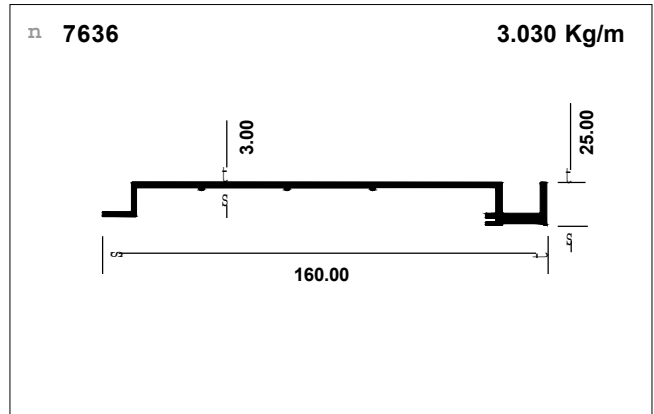
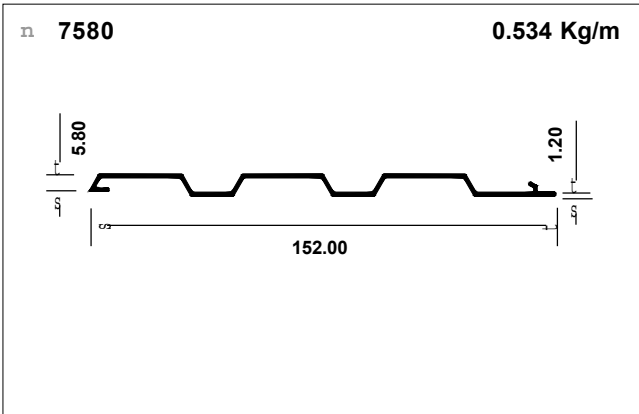
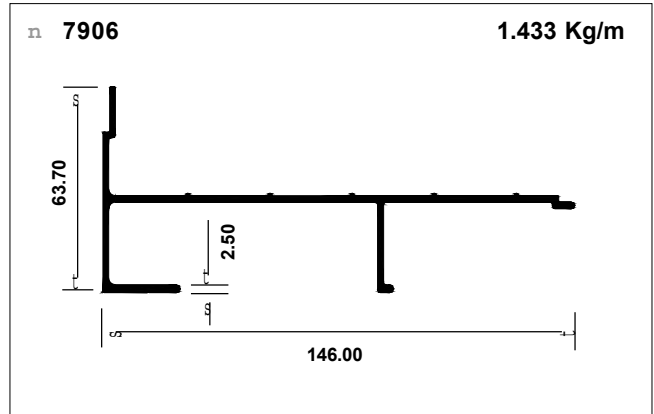
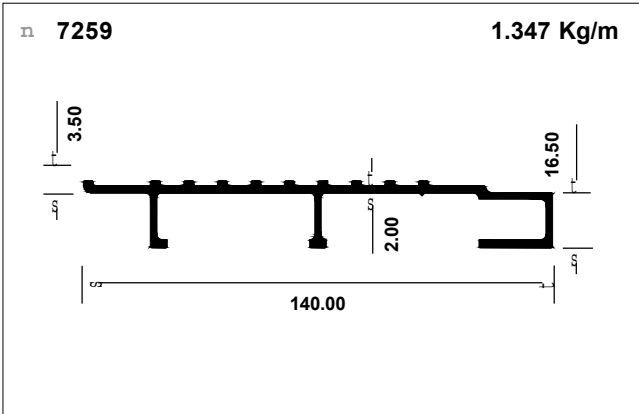
Bus structurals



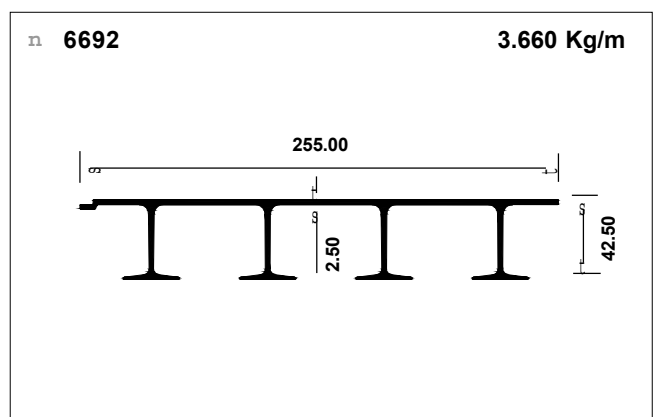
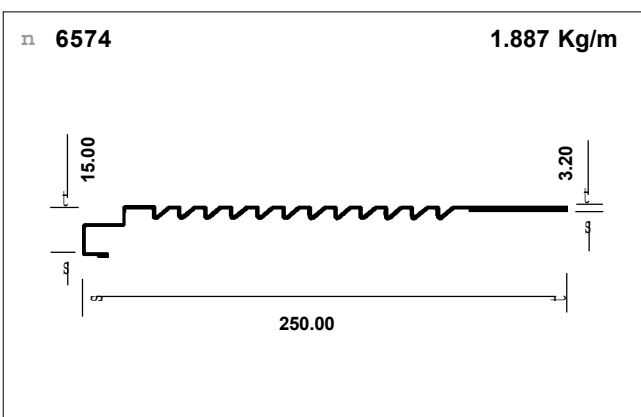
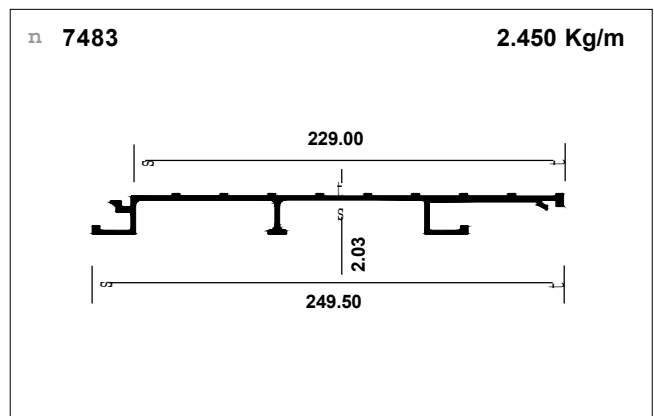
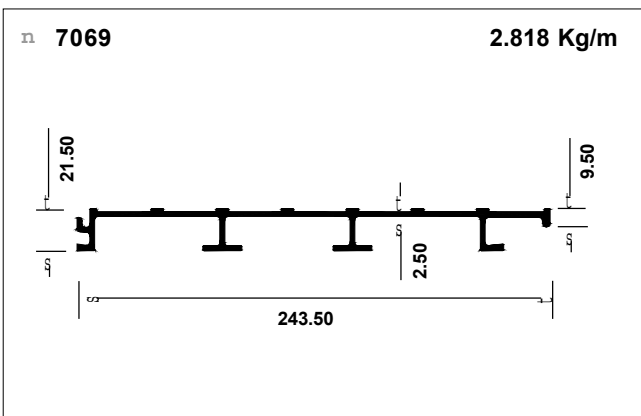
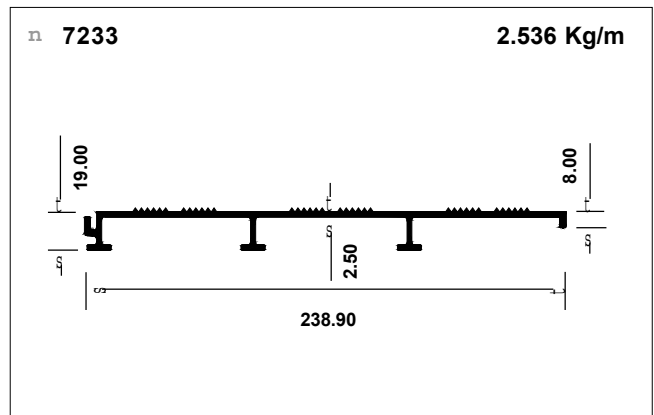
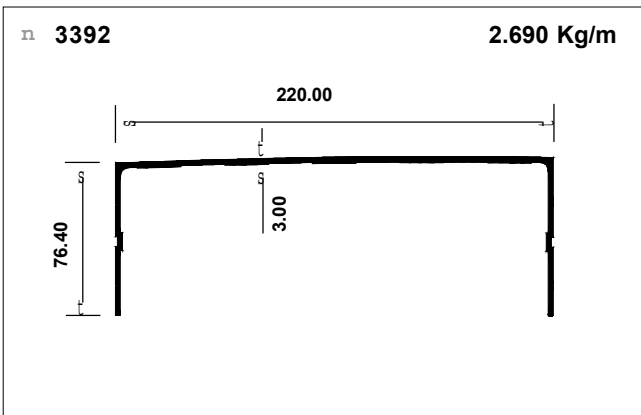
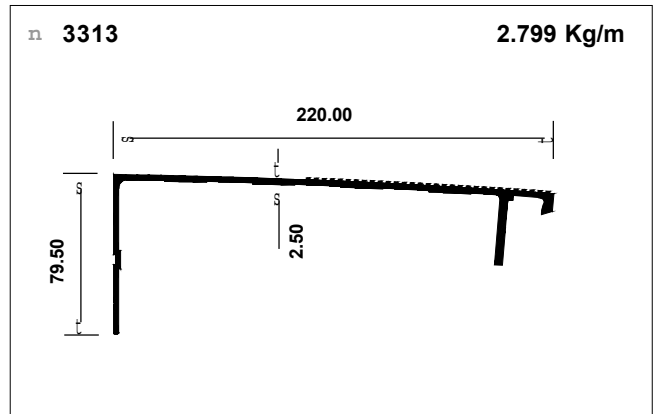
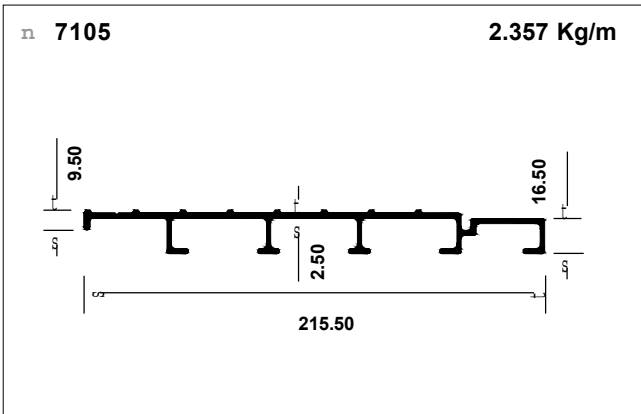
Bus structurals



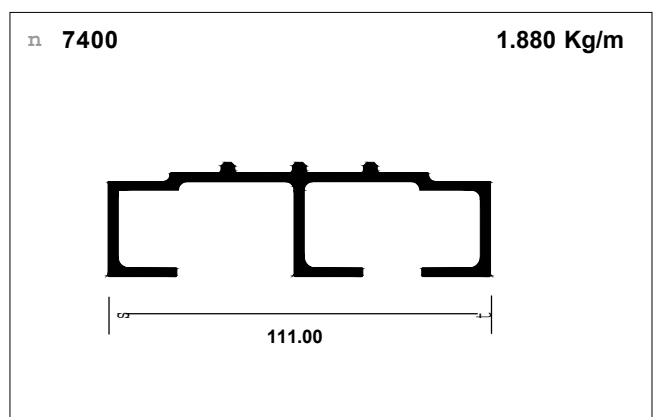
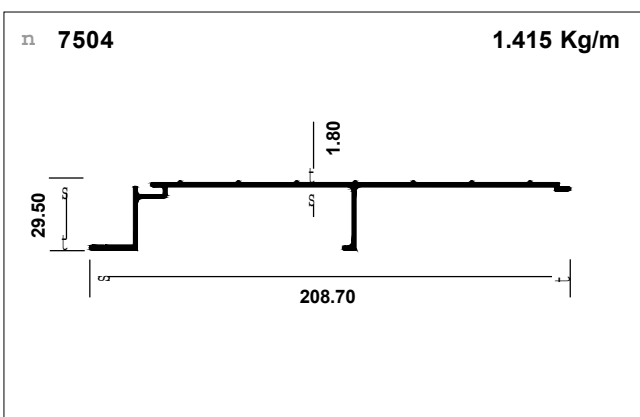
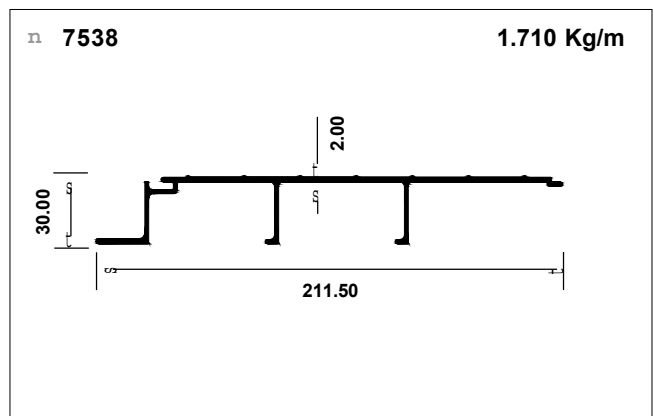
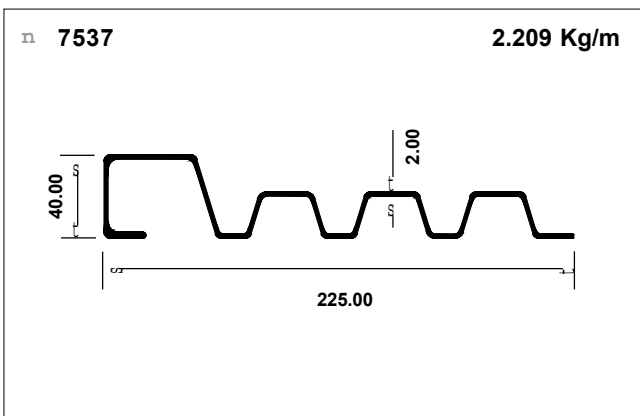
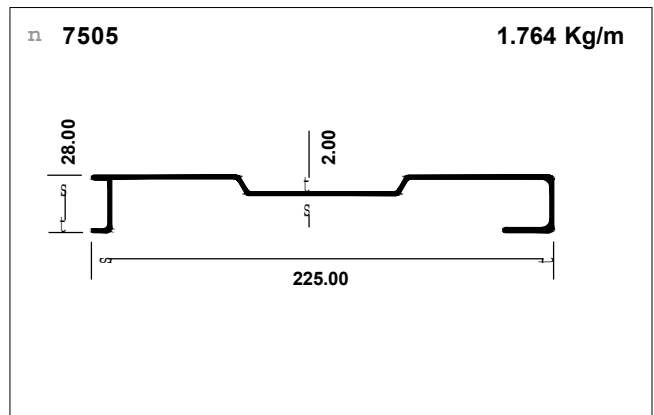
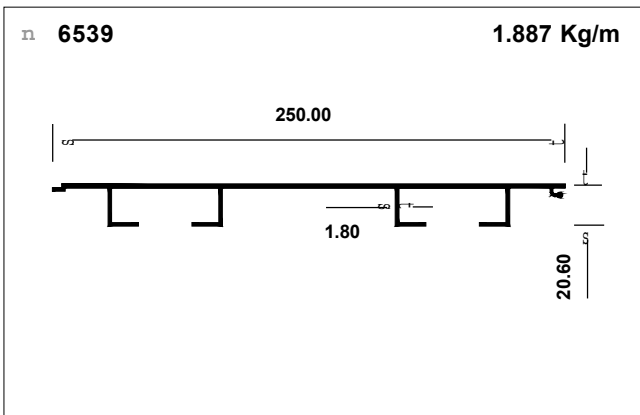
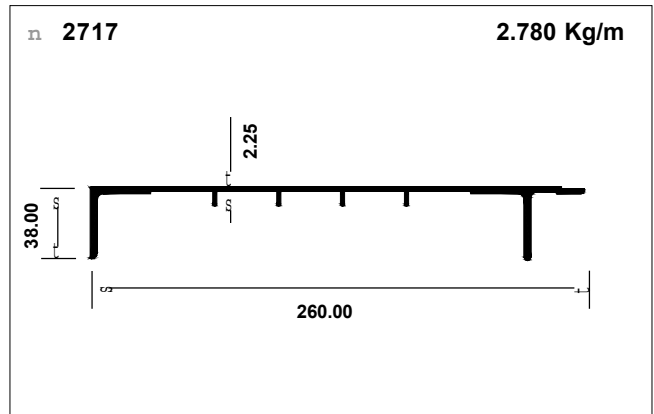
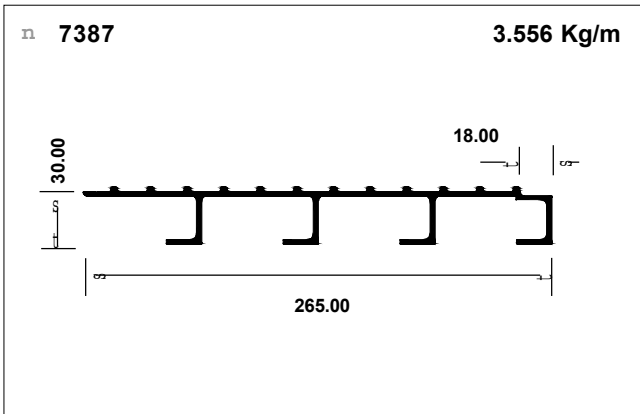
Flooring



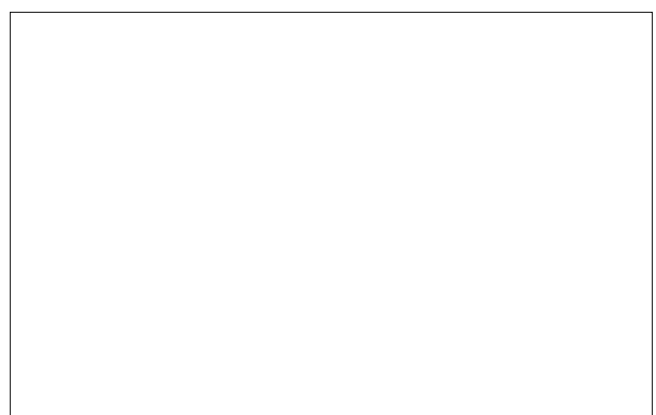
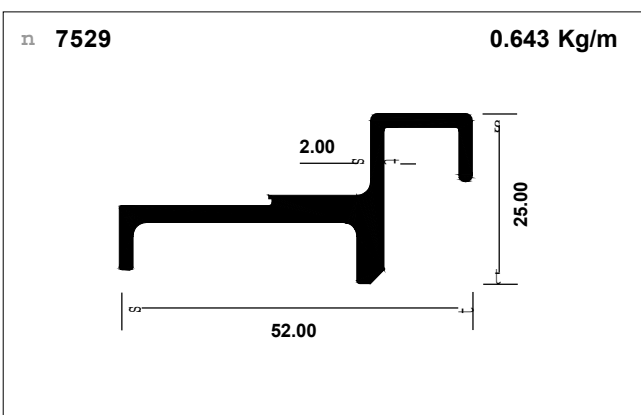
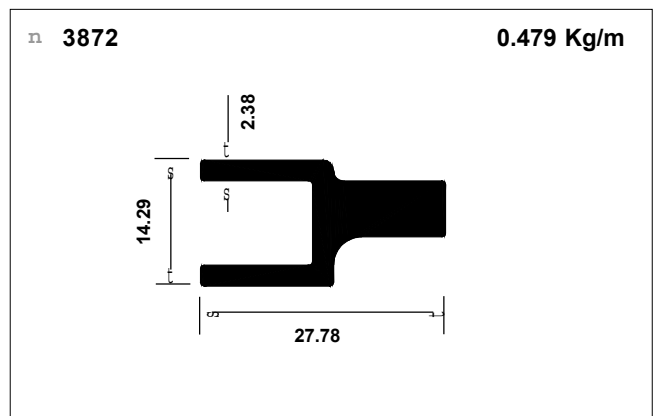
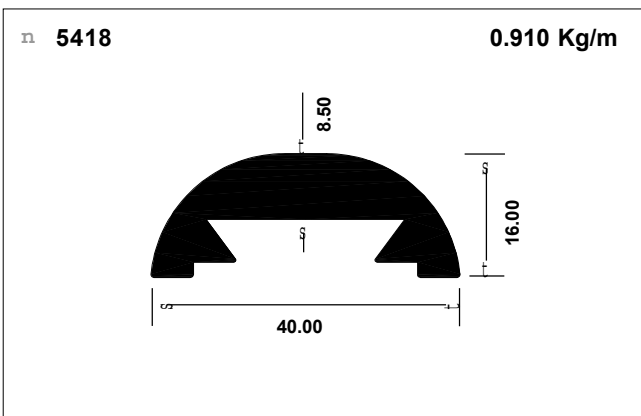
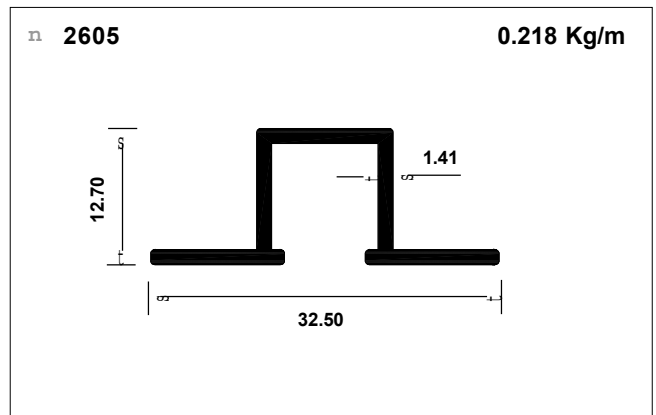
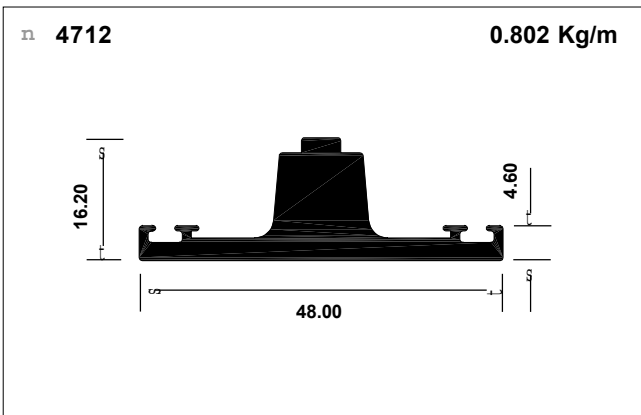
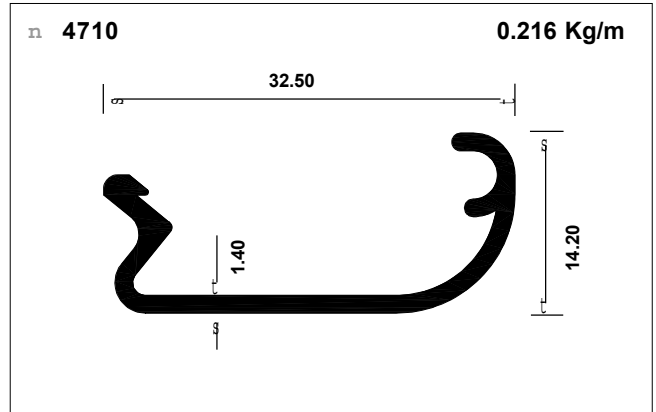
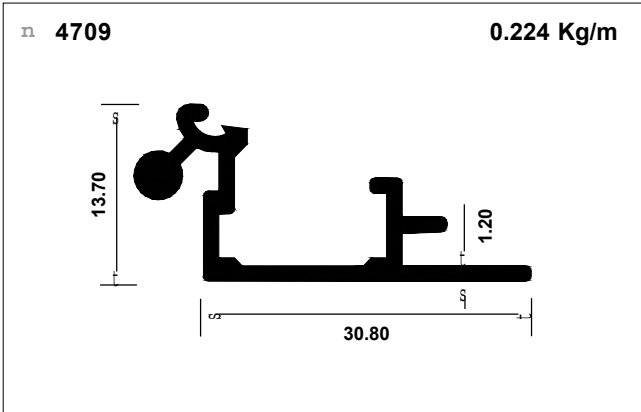
Flooring



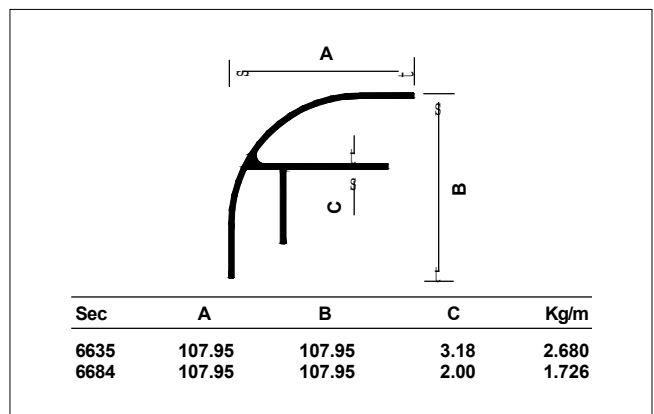
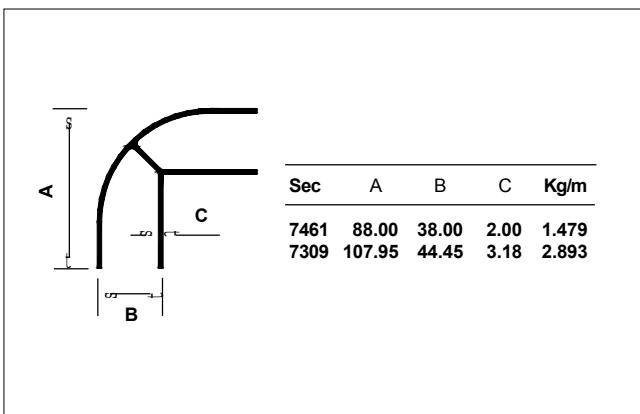
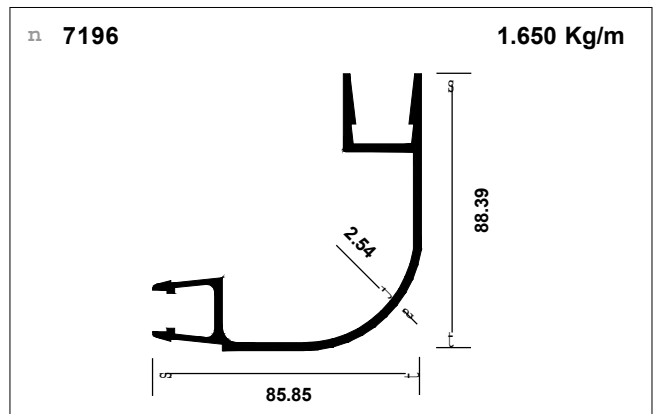
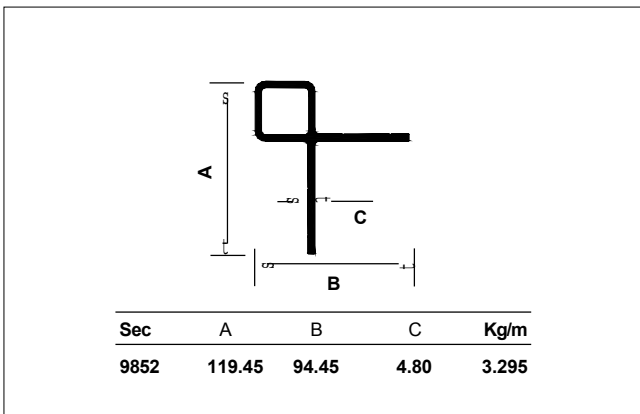
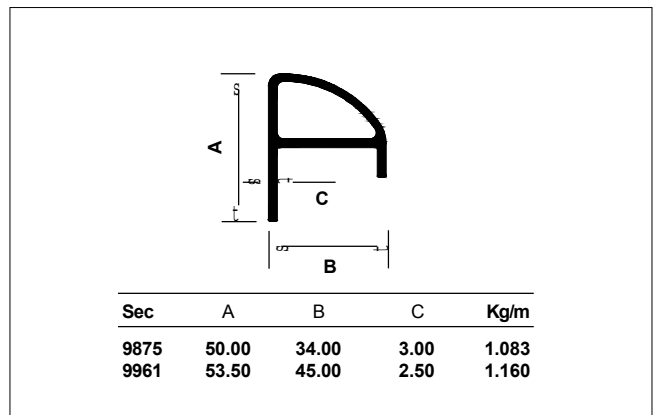
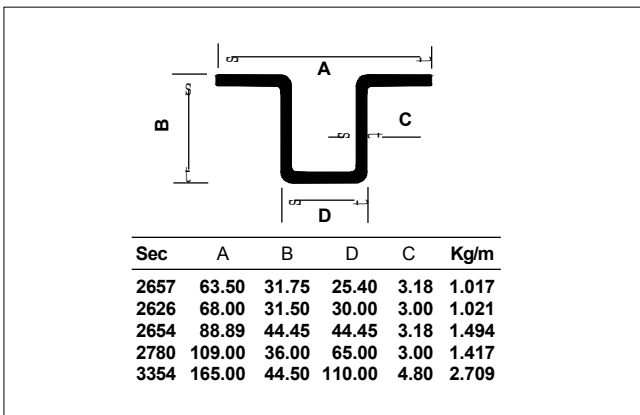
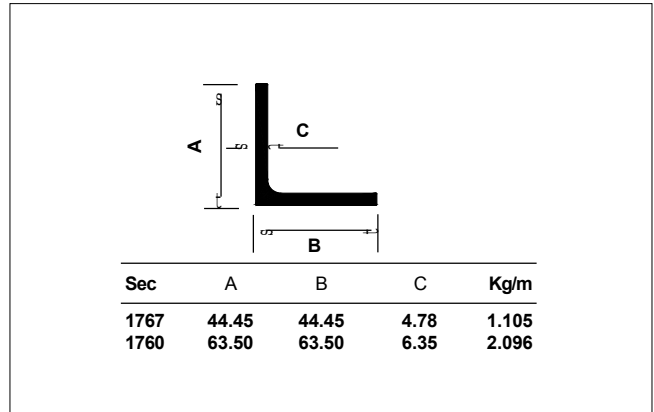
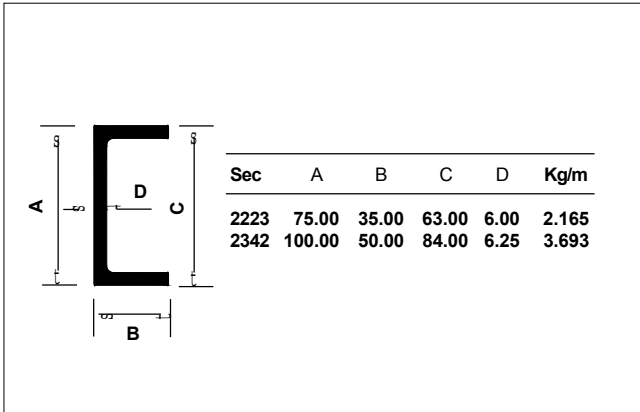
Flooring



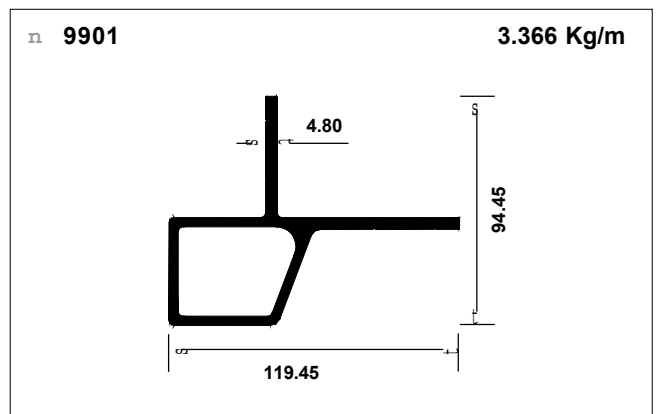
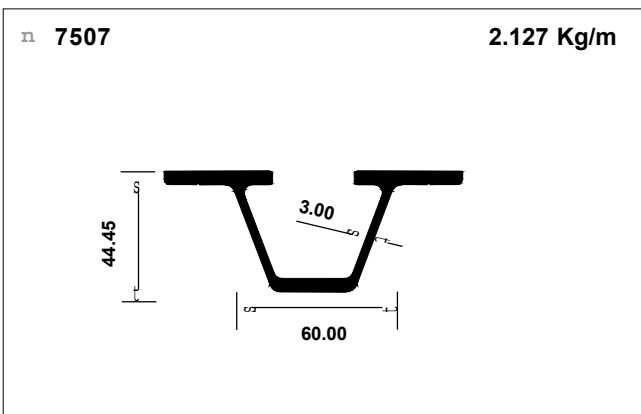
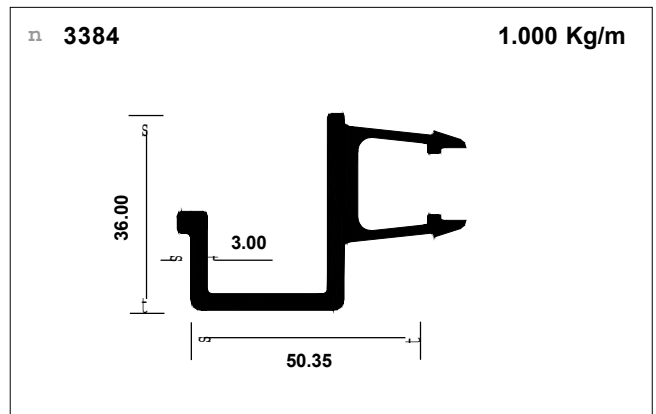
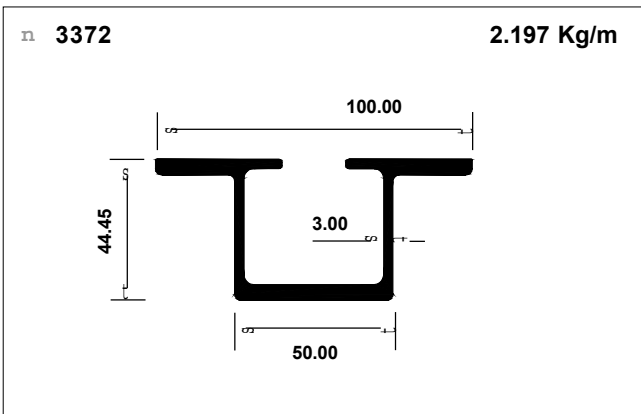
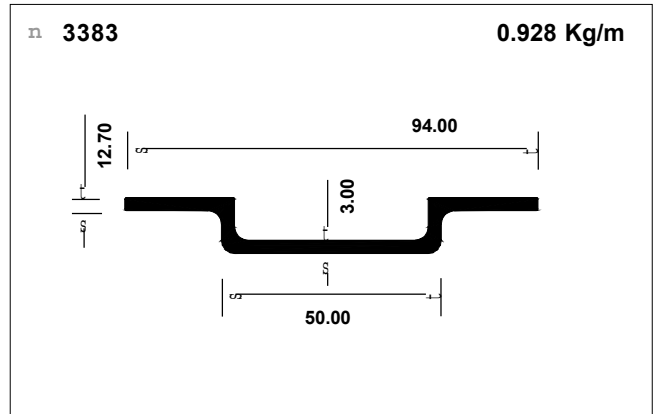
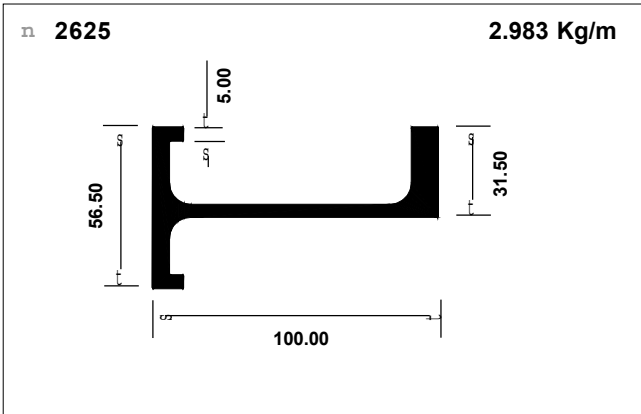
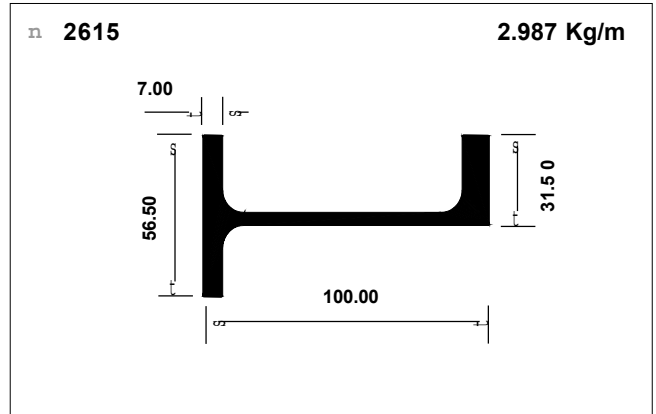
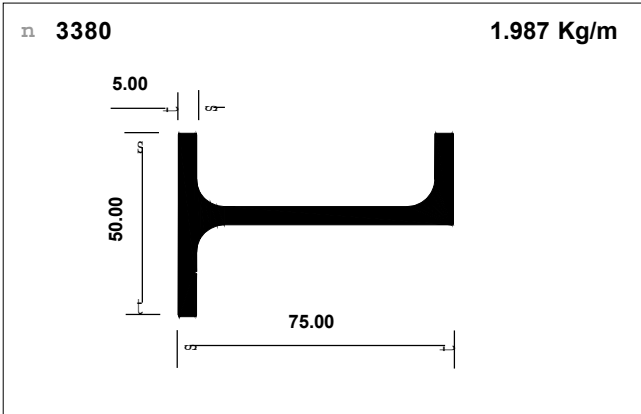
Bus body miscellaneous



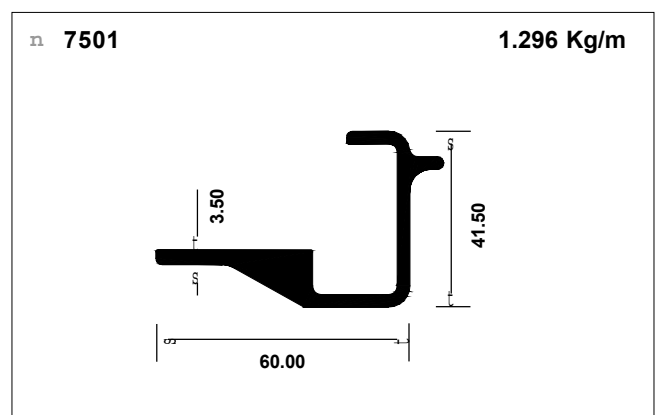
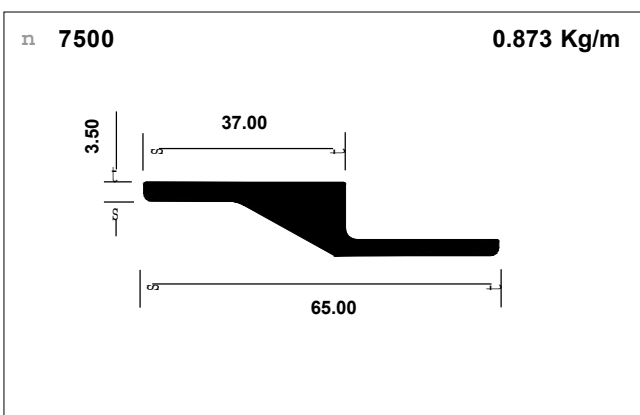
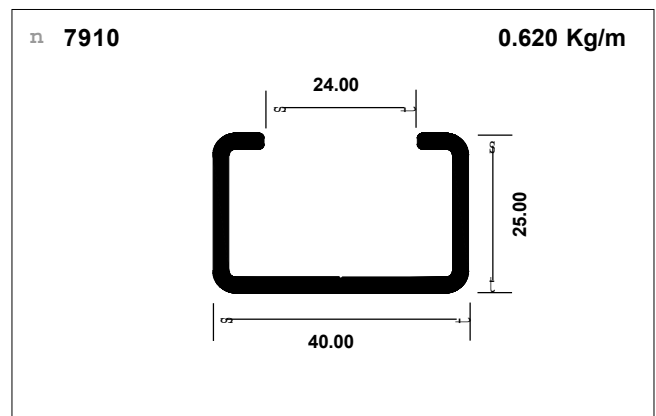
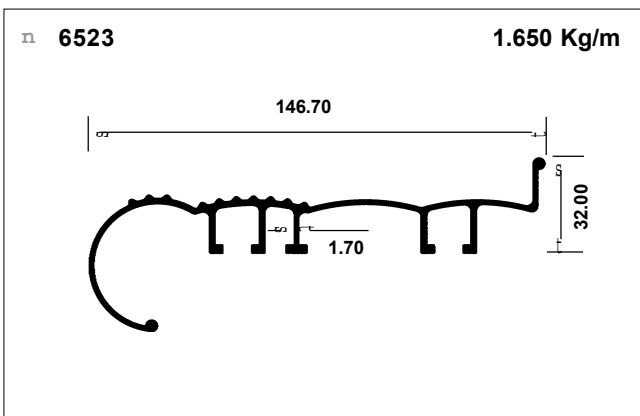
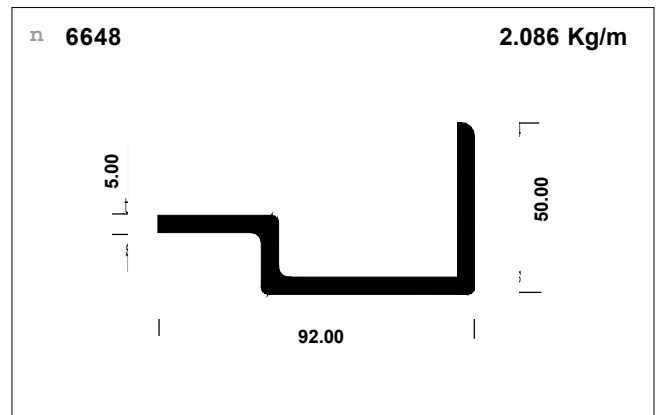
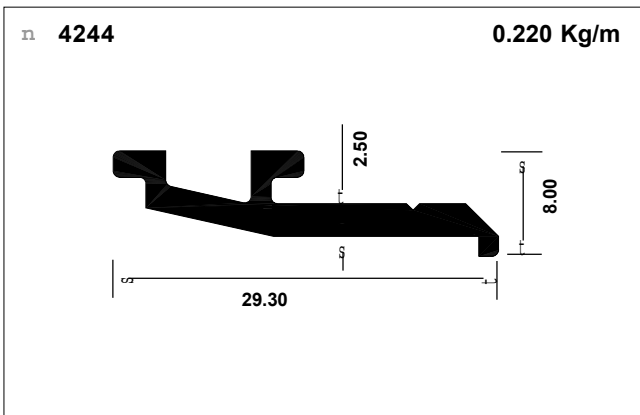
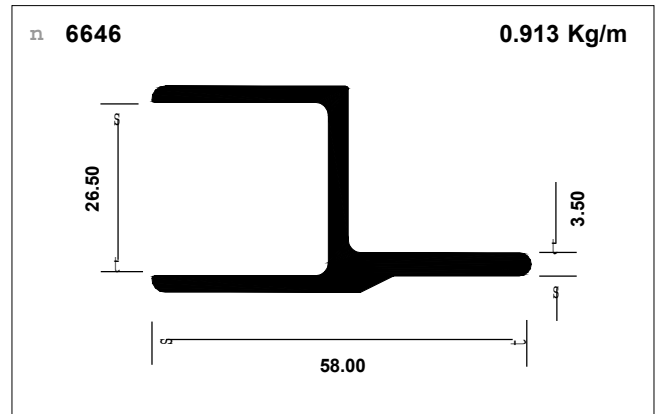
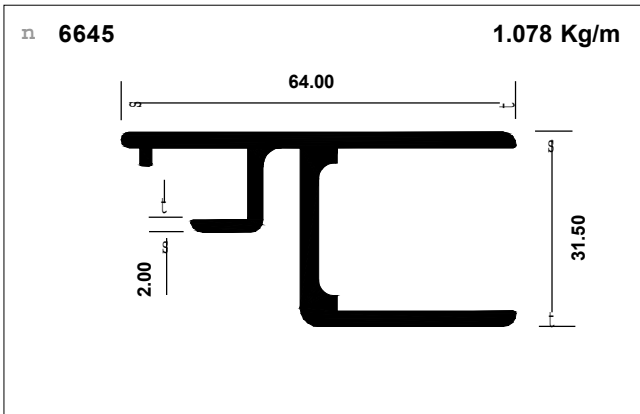
Truck body structurals



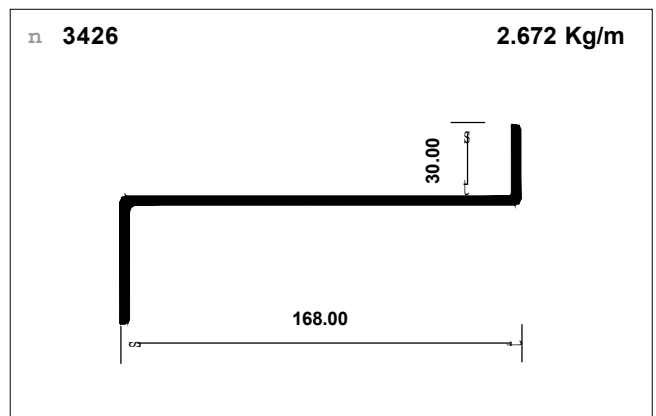
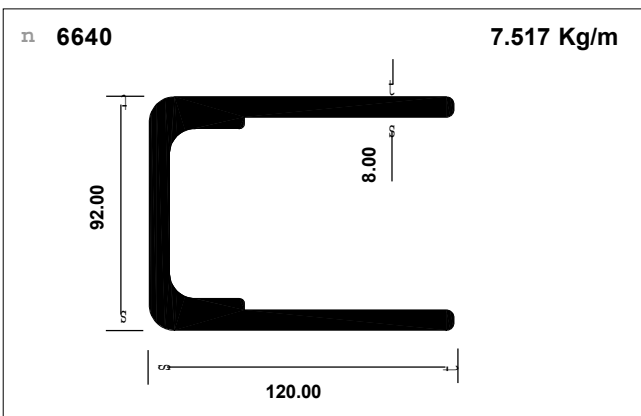
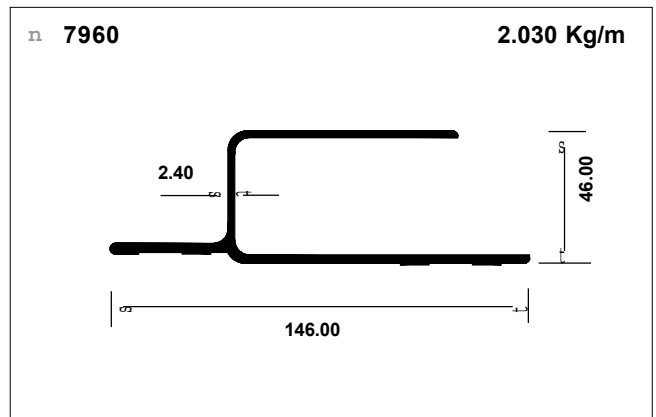
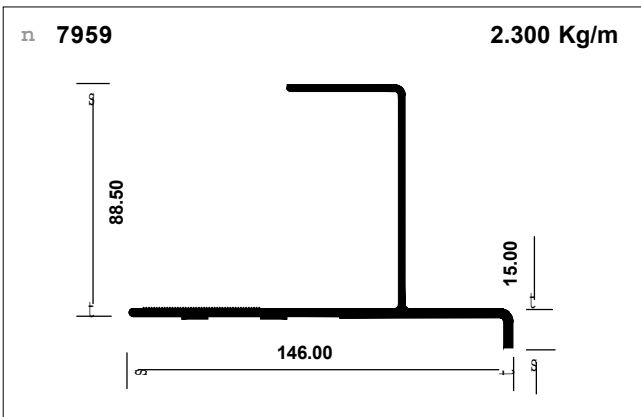
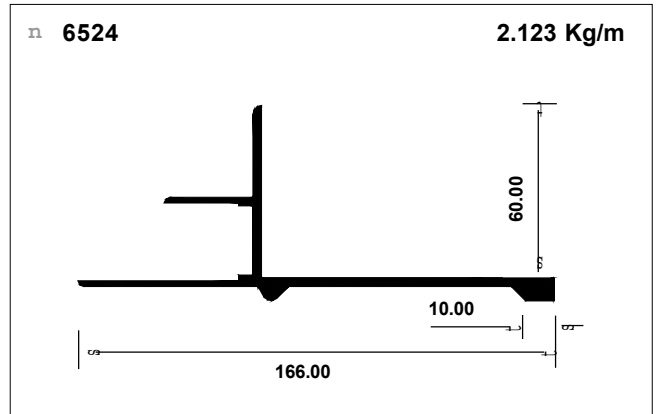
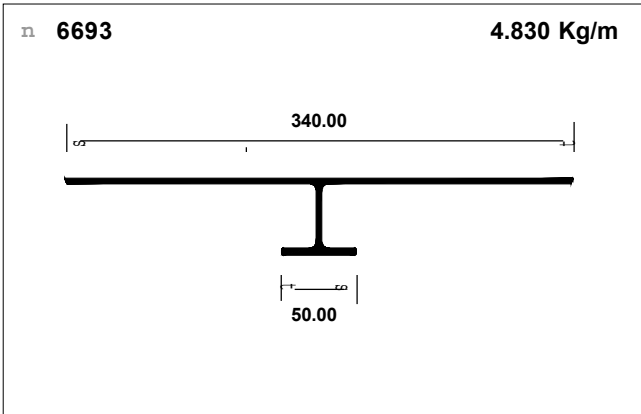
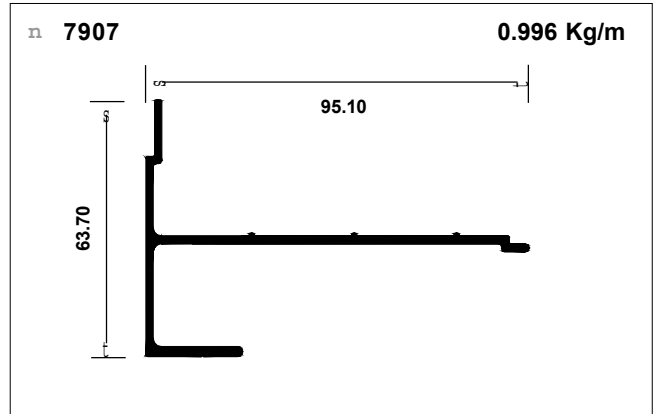
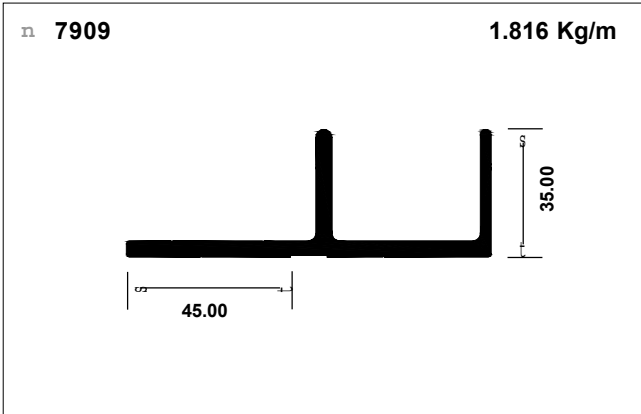
Truck body structurals



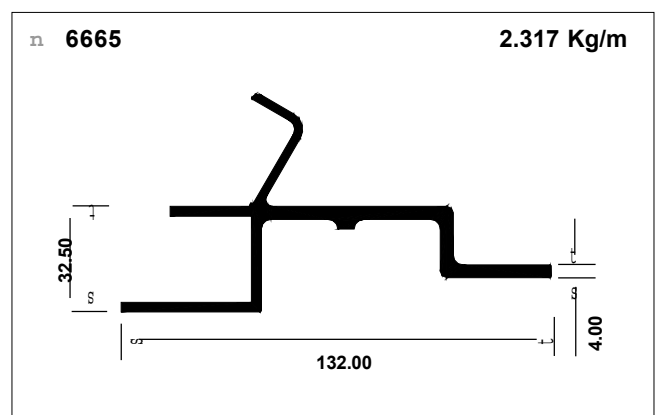
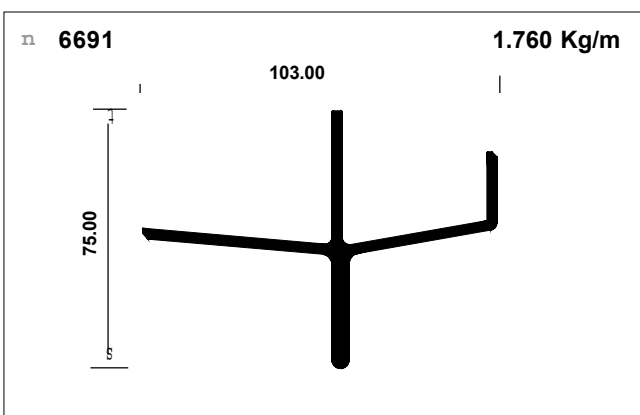
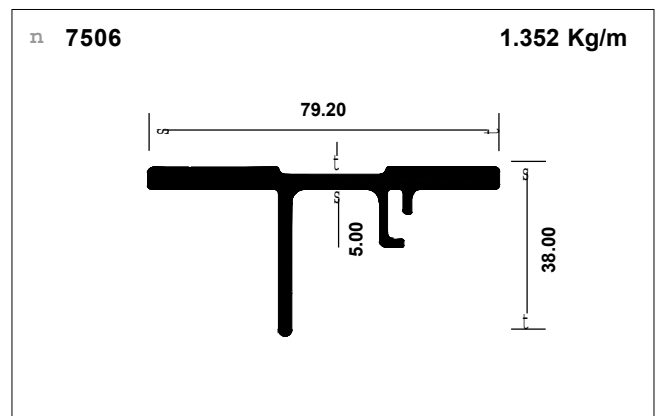
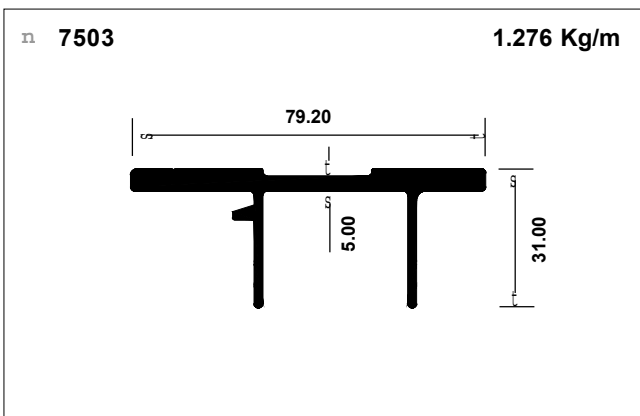
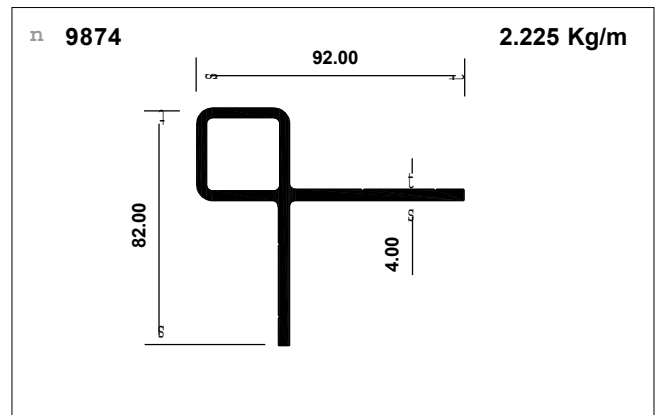
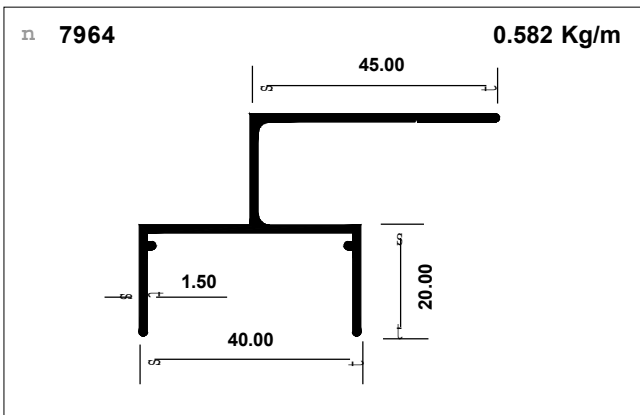
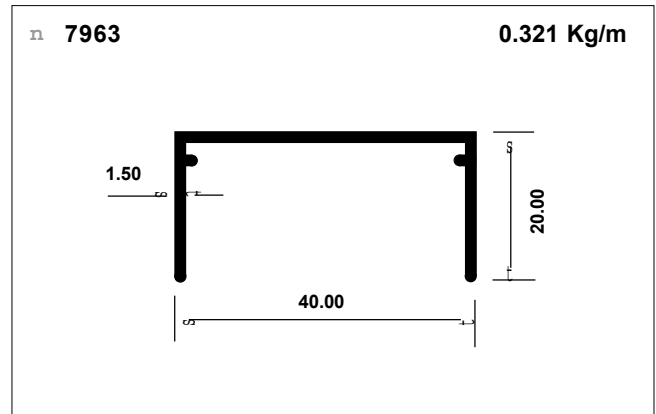
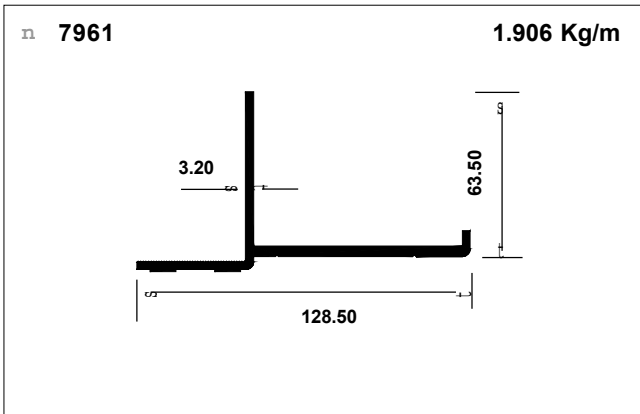
Truck body structurals



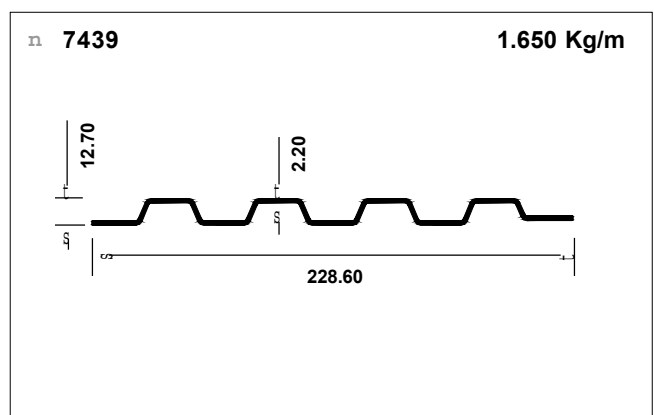
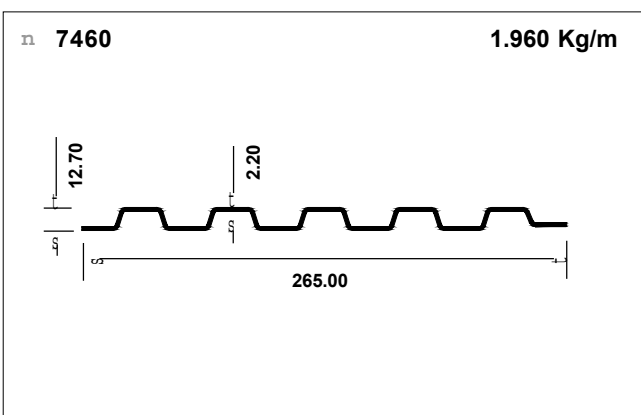
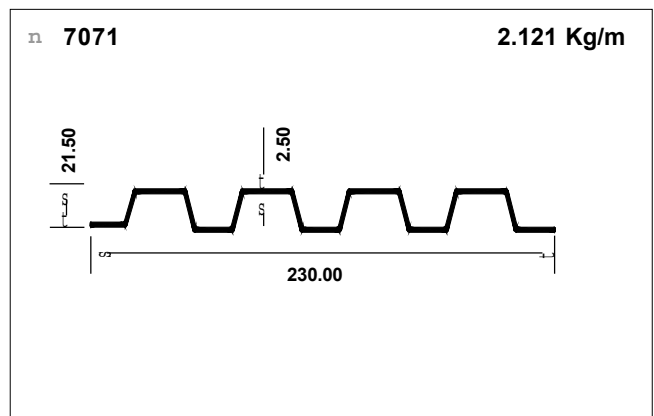
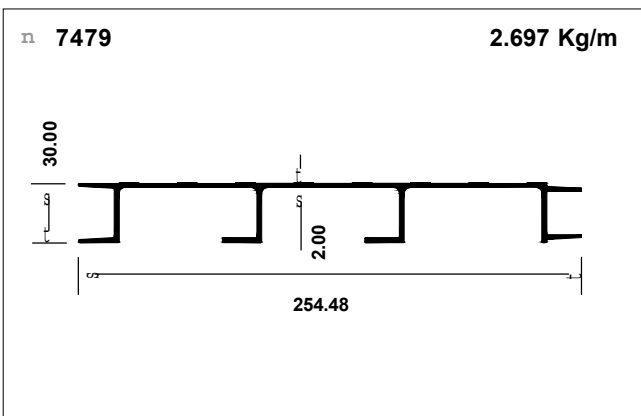
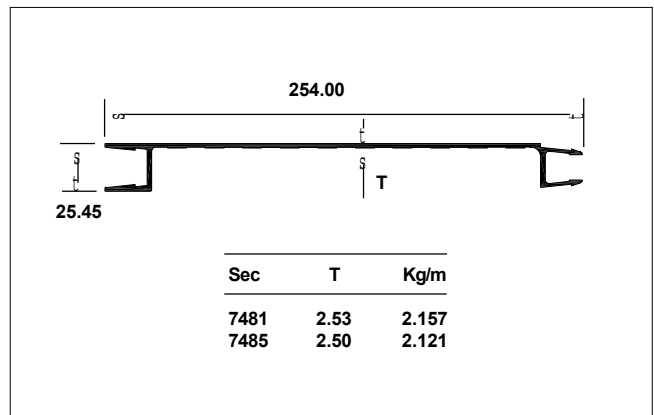
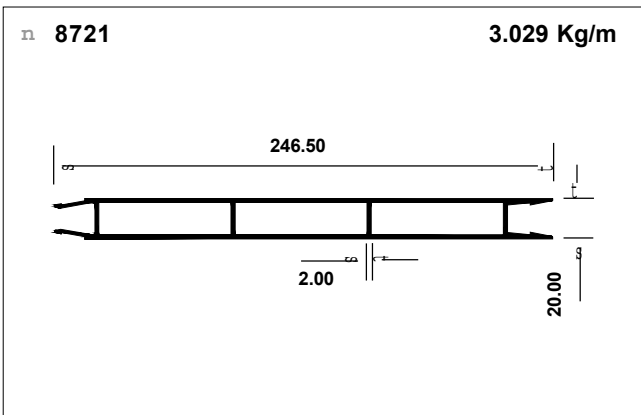
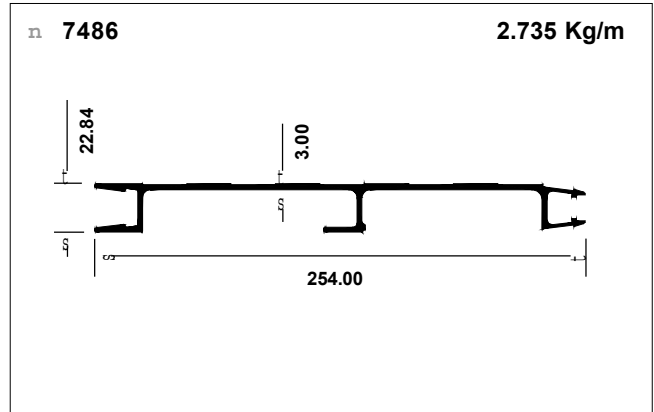
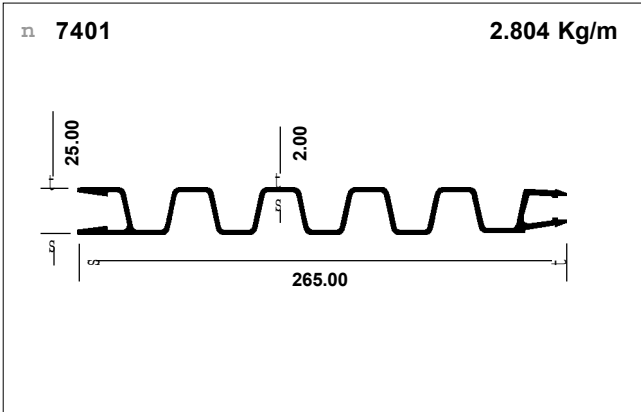
Truck body structurals



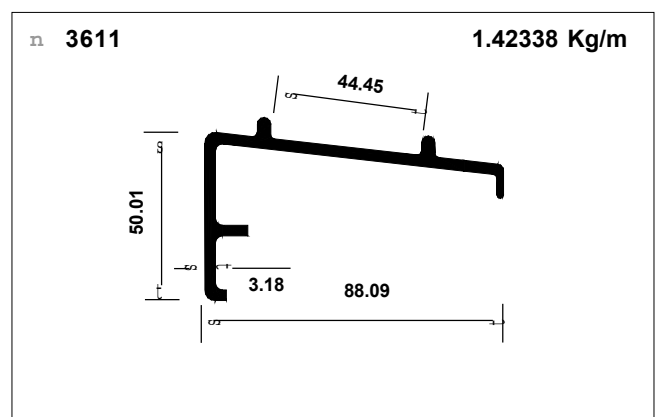
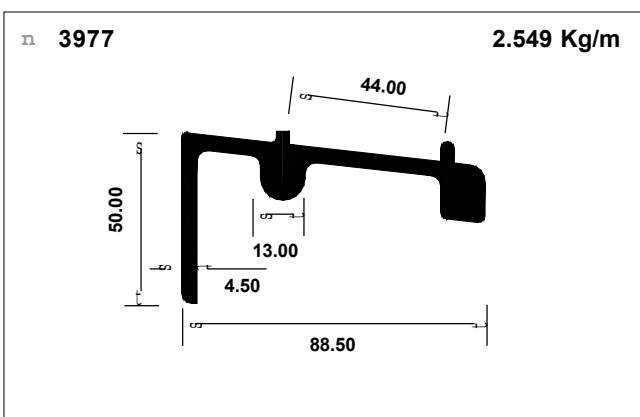
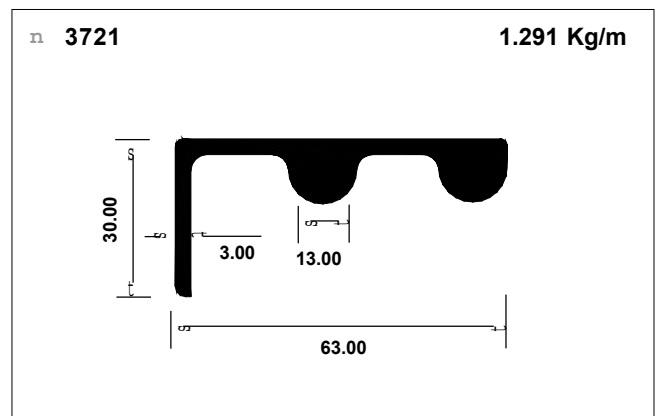
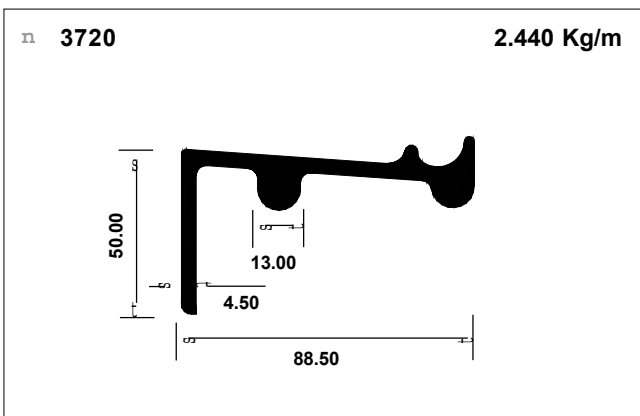
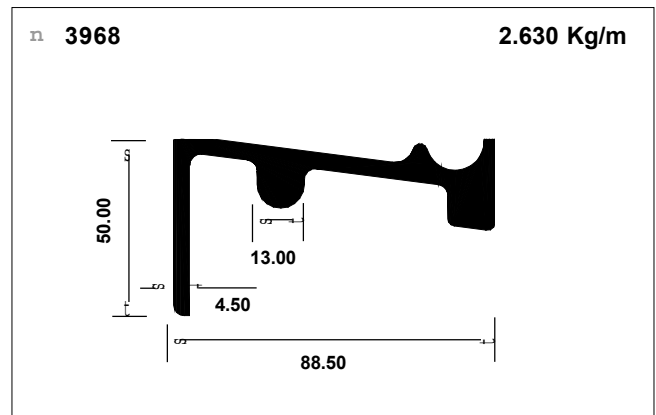
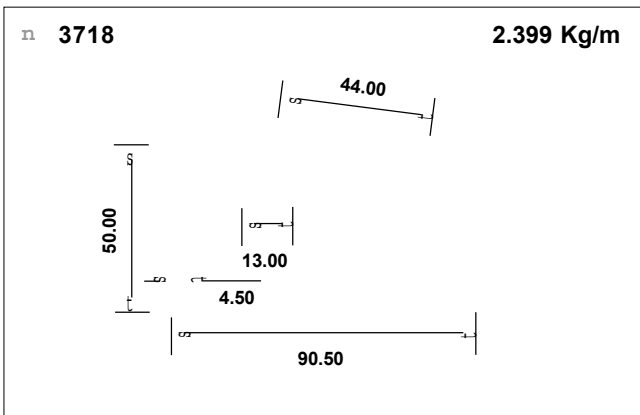
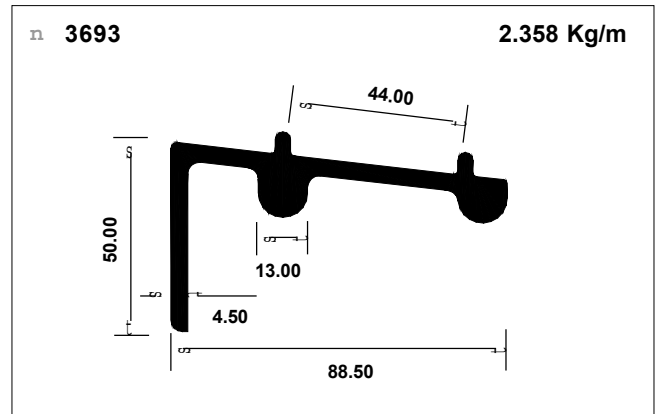
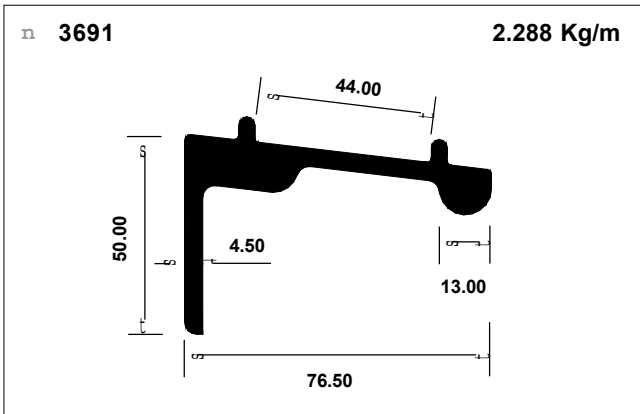
Truck body structurals



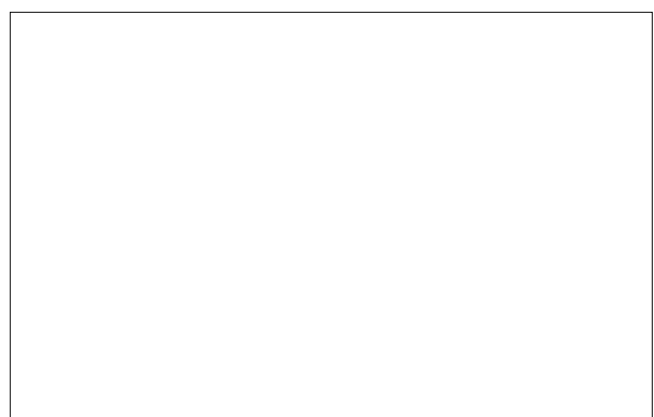
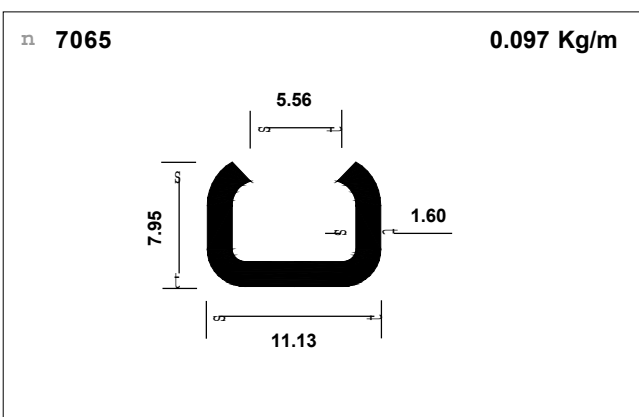
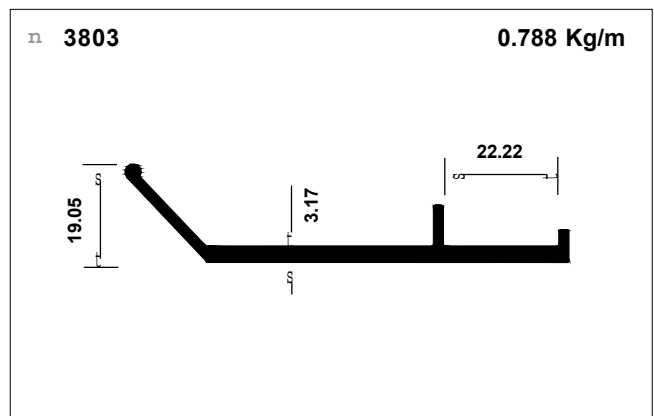
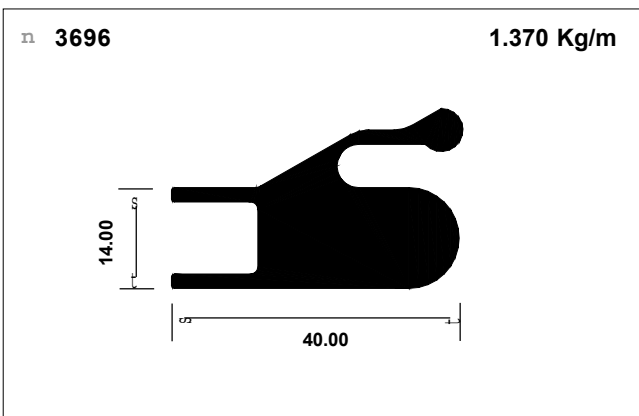
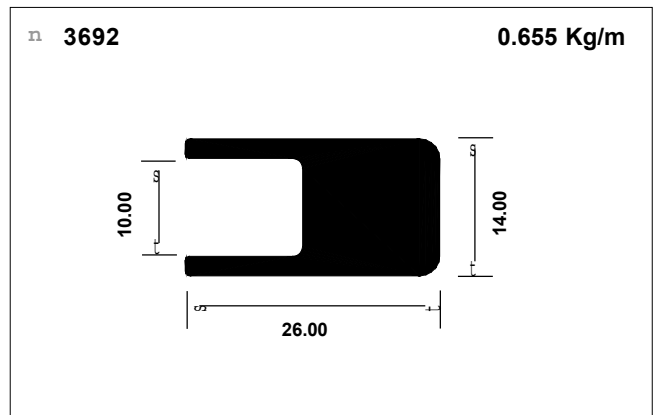
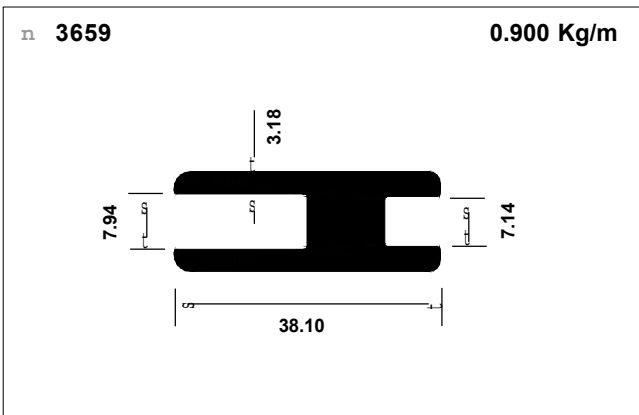
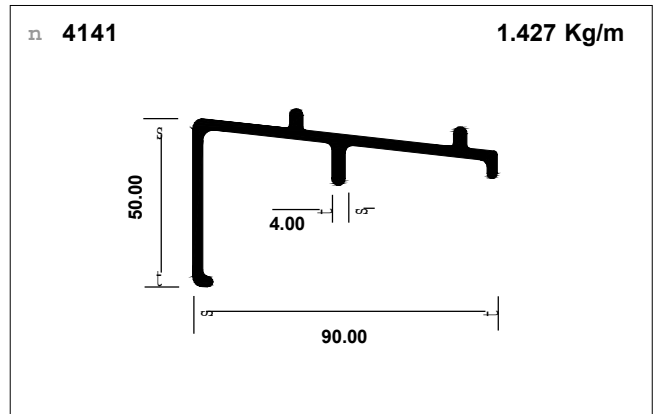
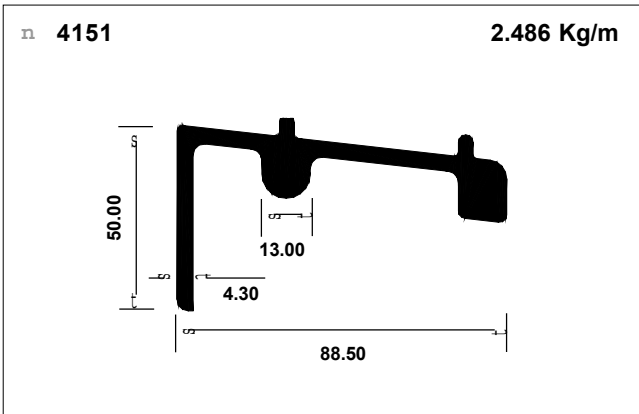
Truck body planks



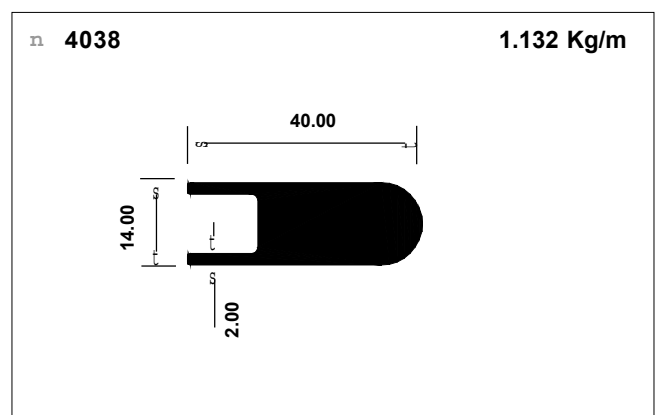
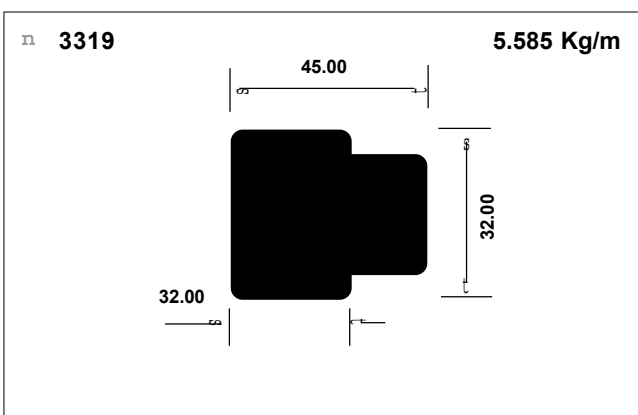
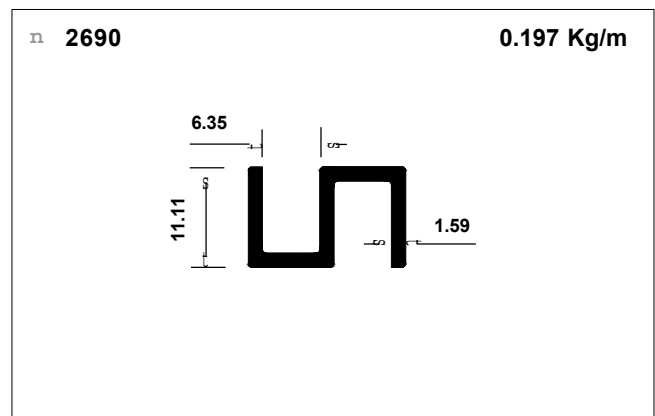
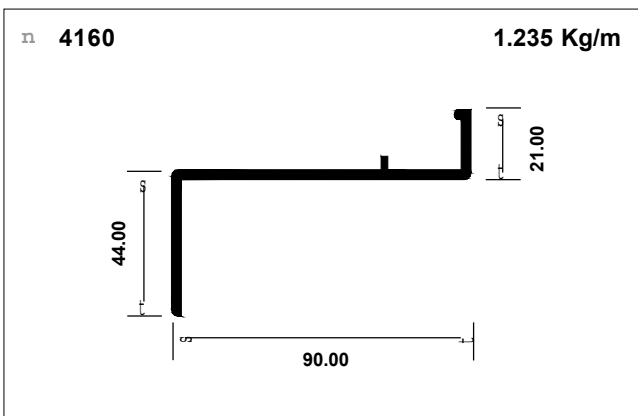
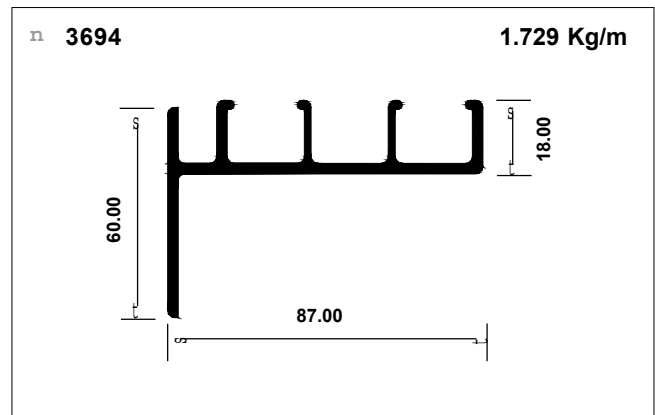
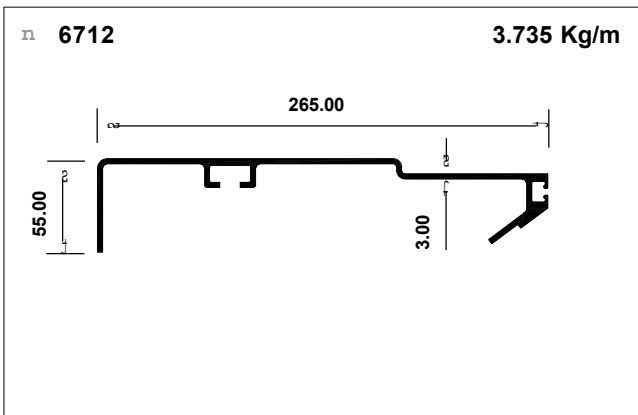
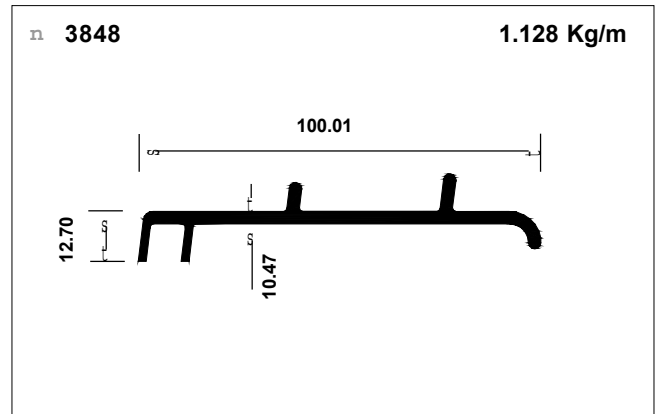
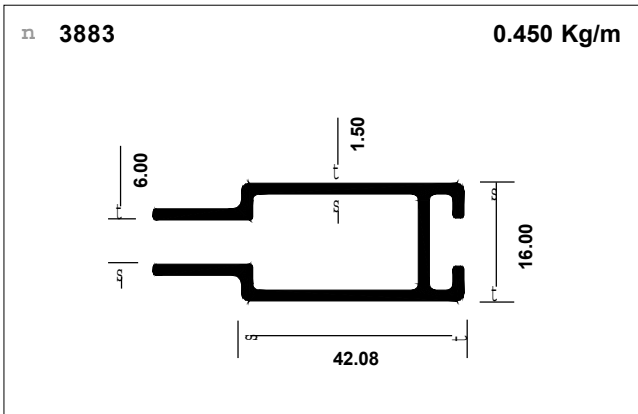
Rail coach windows



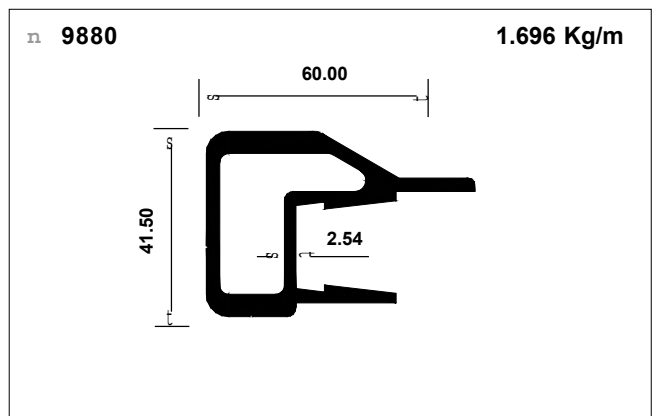
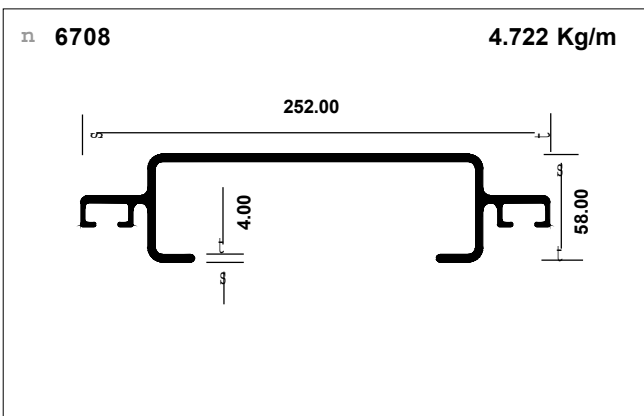
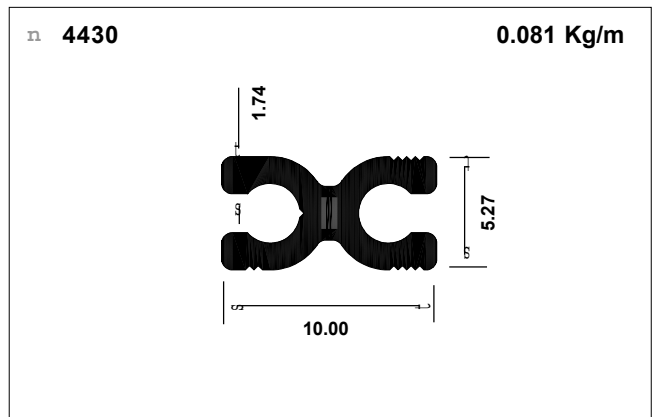
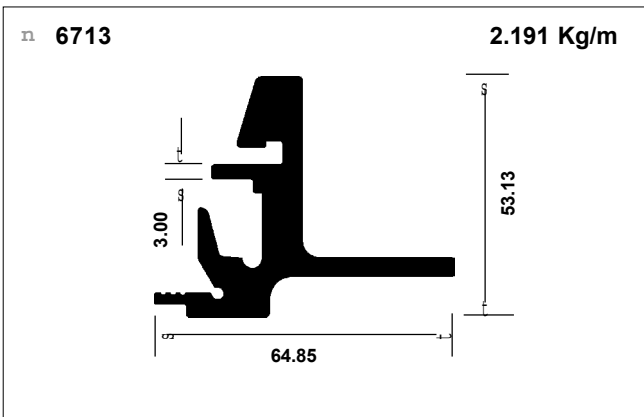
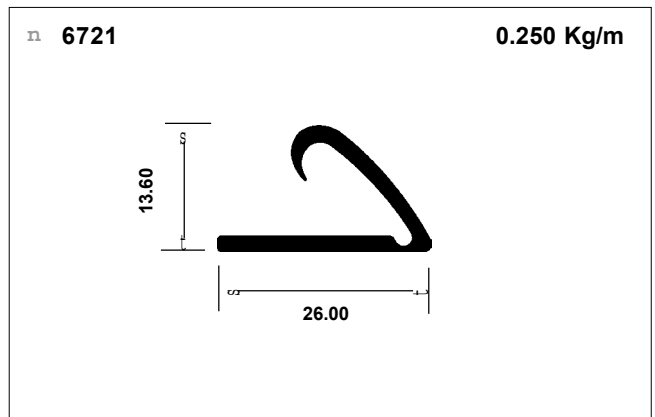
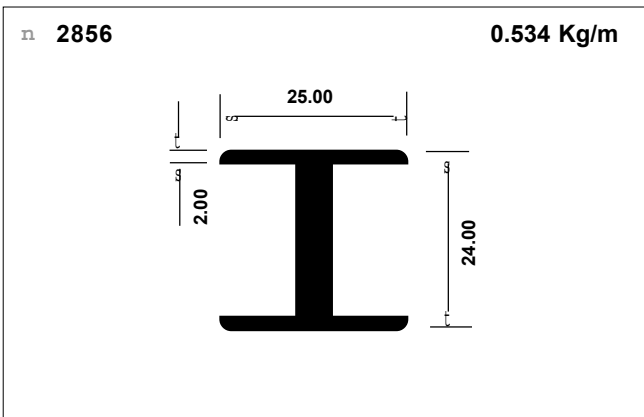
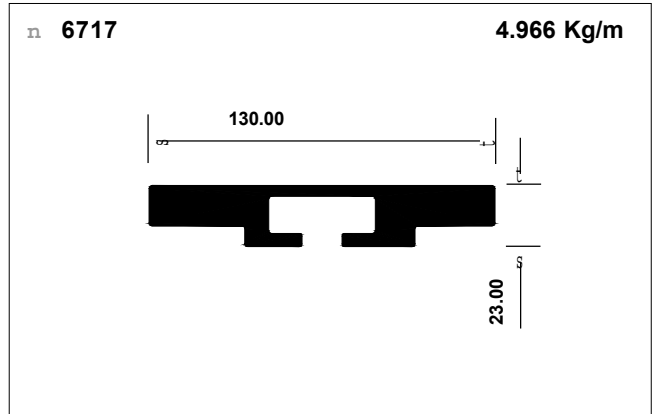
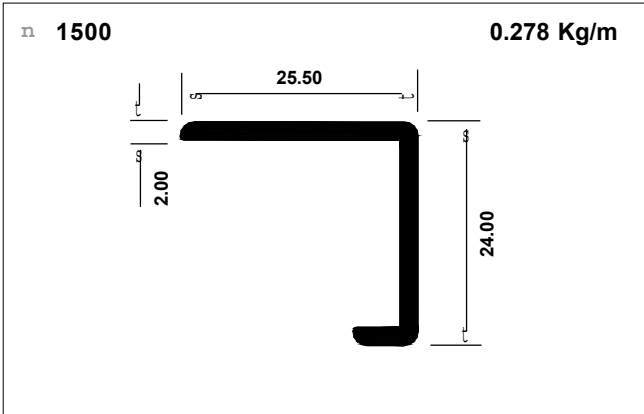
Rail coach windows



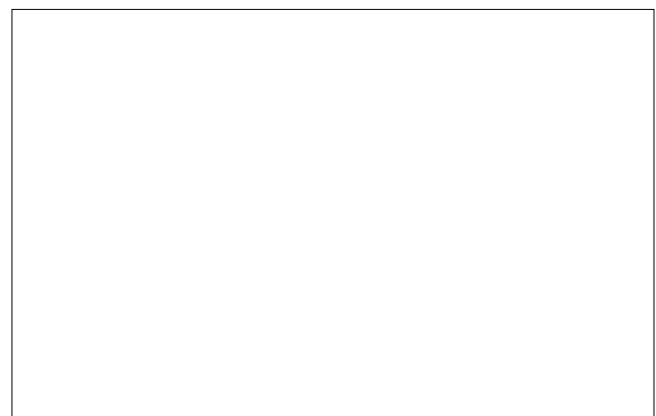
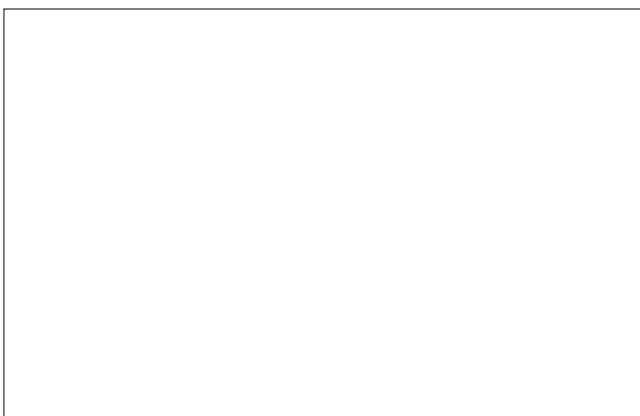
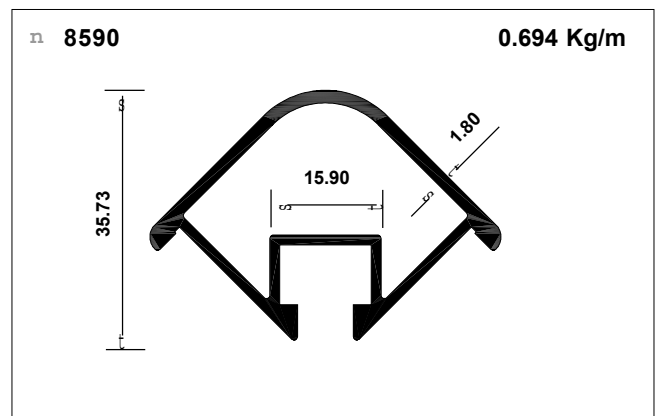
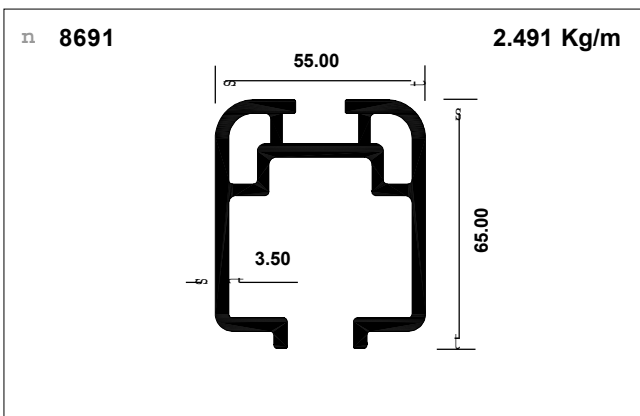
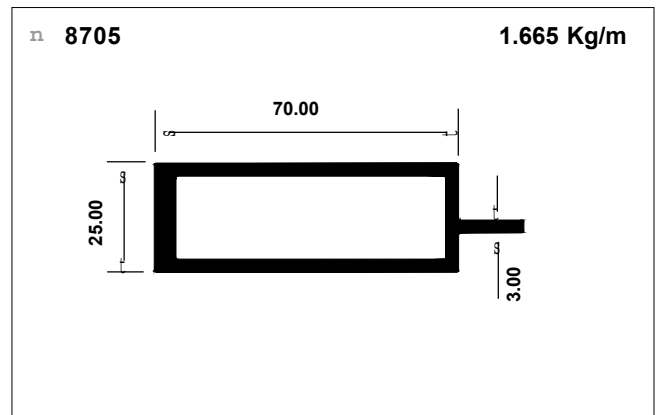
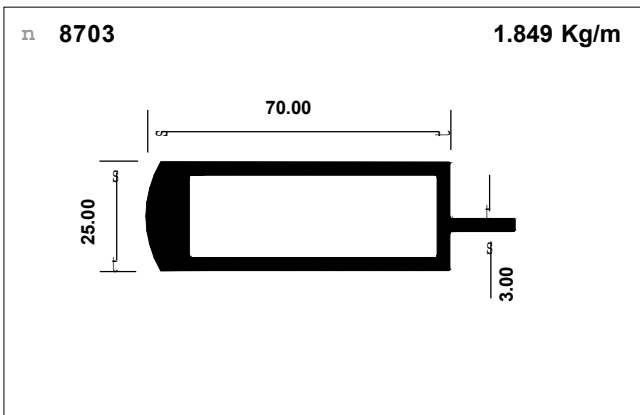
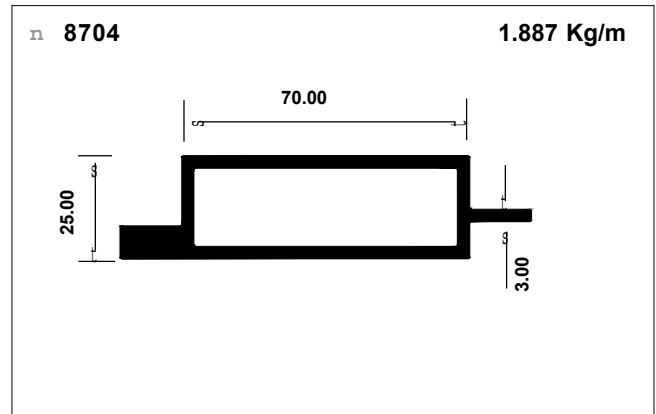
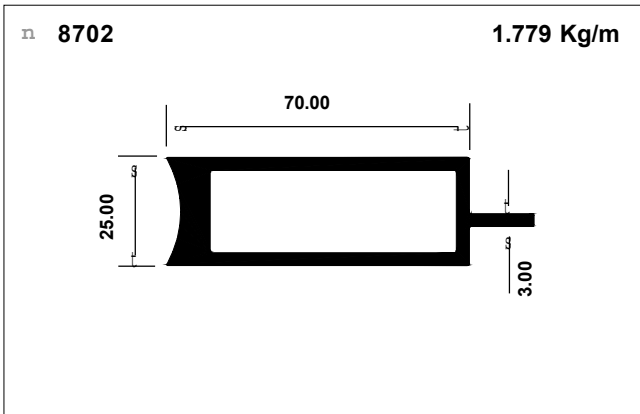
Rail coach windows



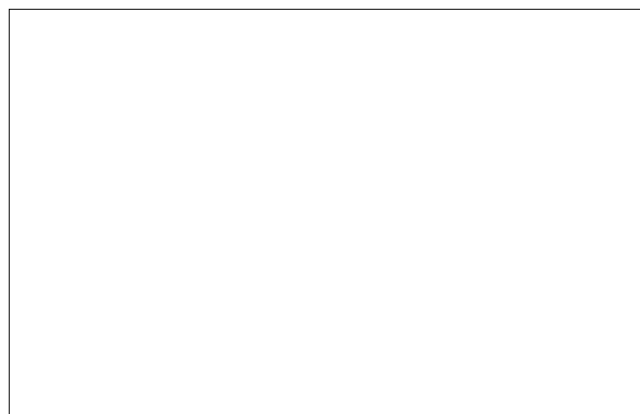
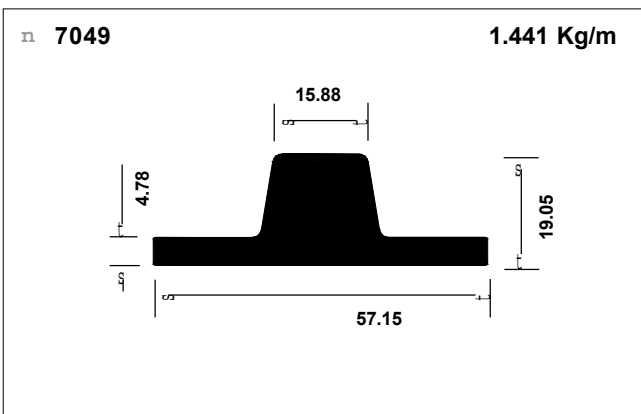
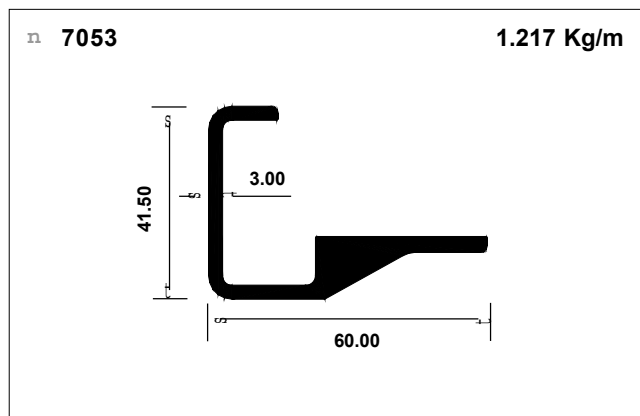
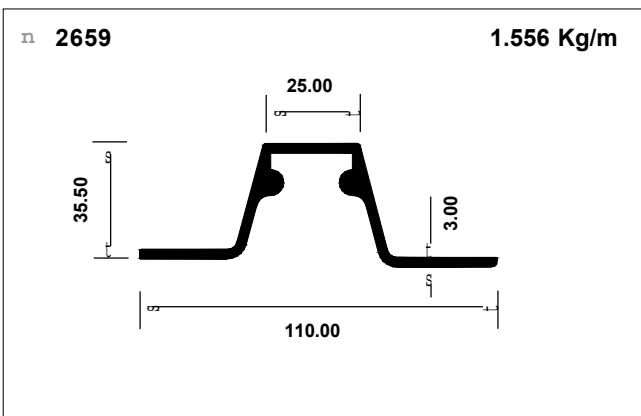
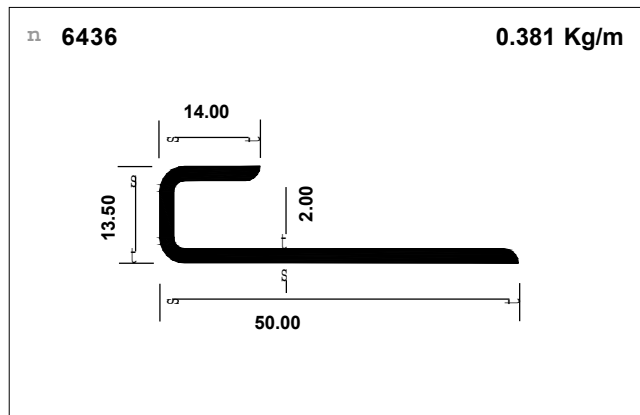
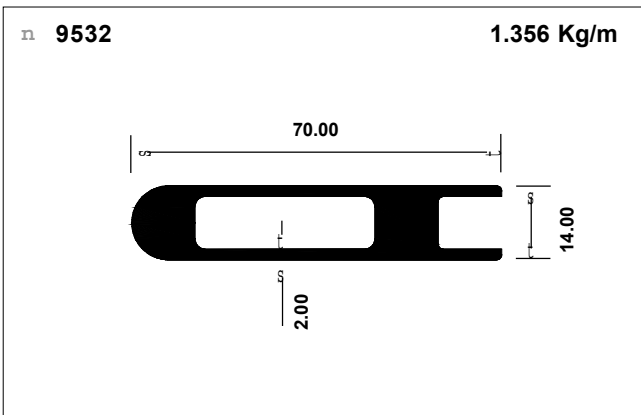
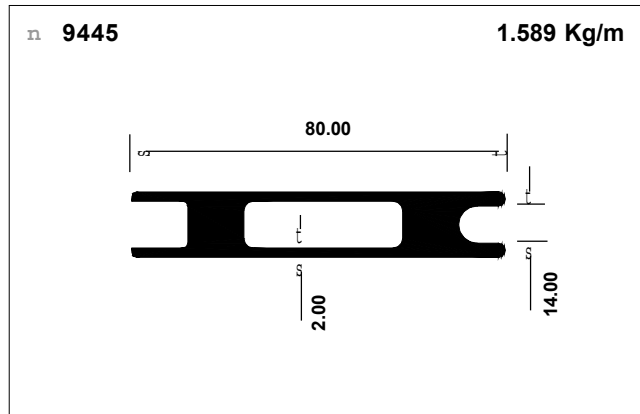
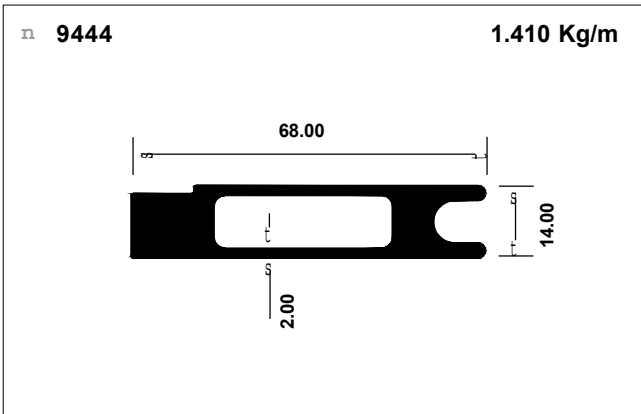
Rail coach



Rail coach



Rail coach doors



Miscellaneous

